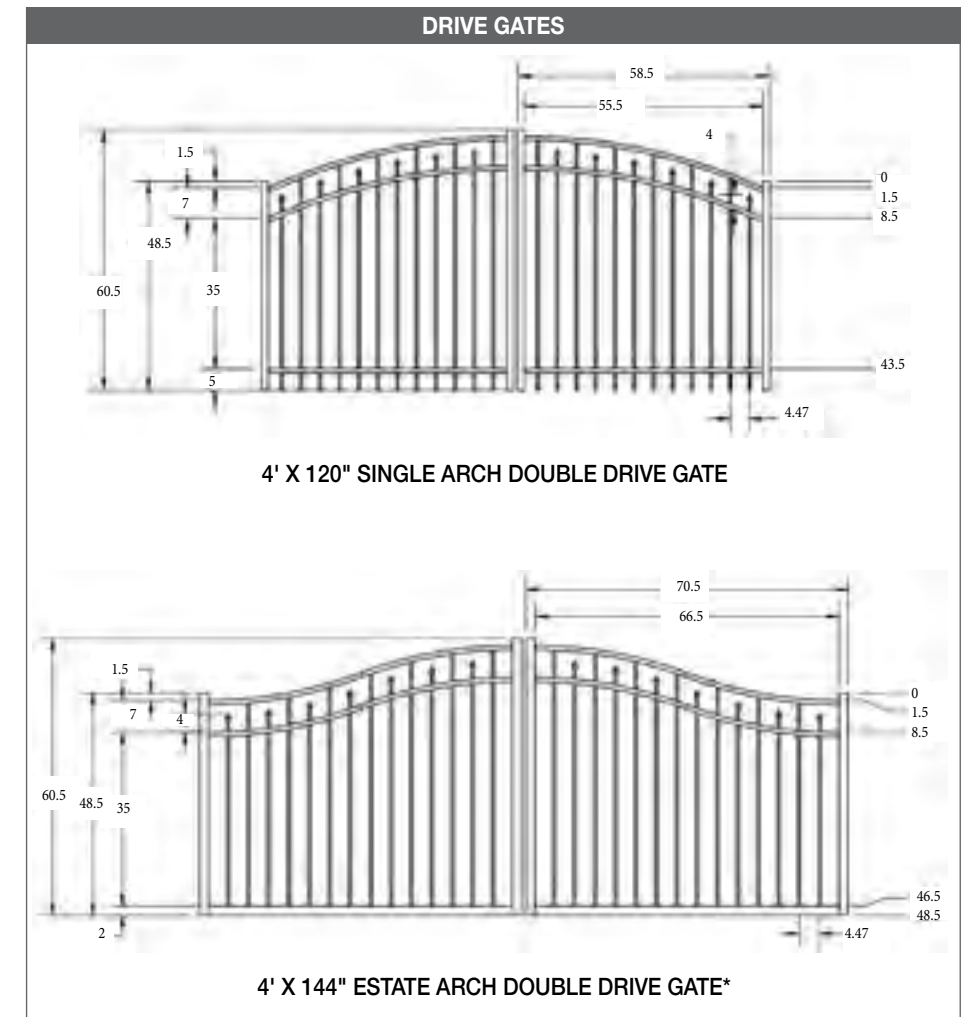
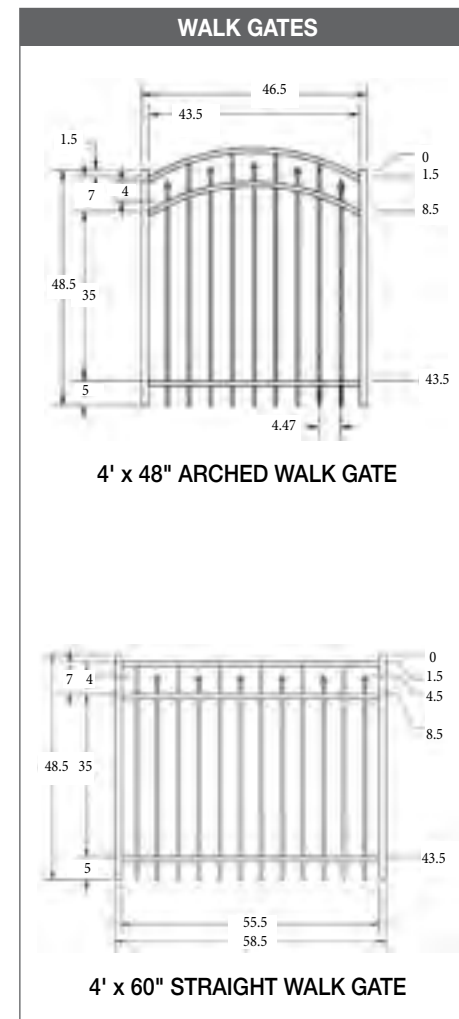
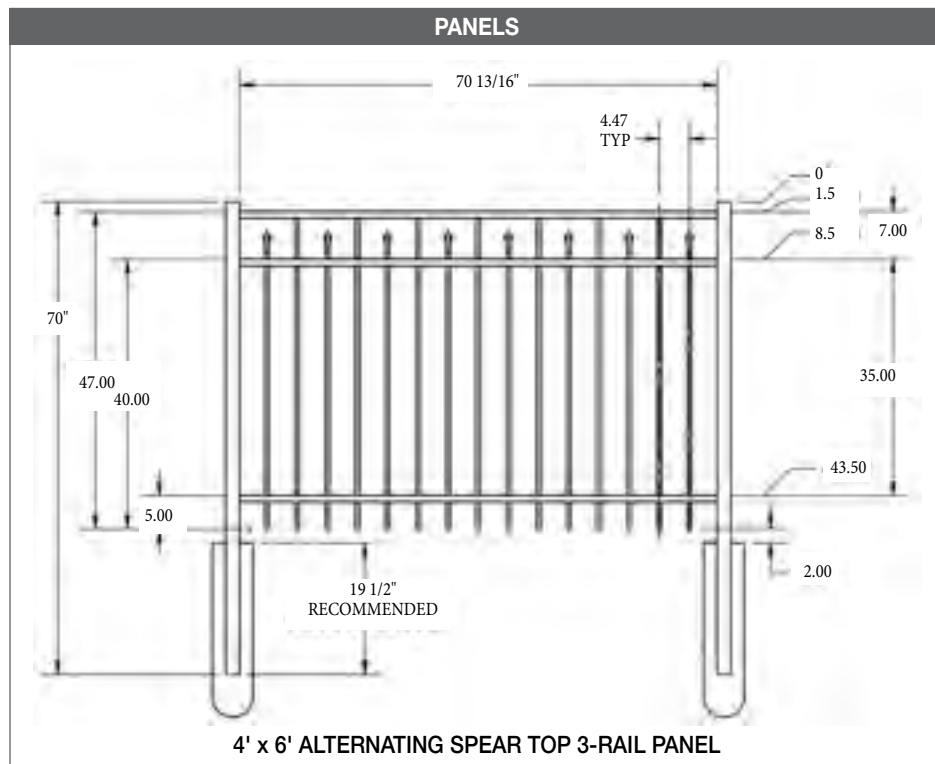


**RESIDENTIAL**  
**5/8" PICKET**

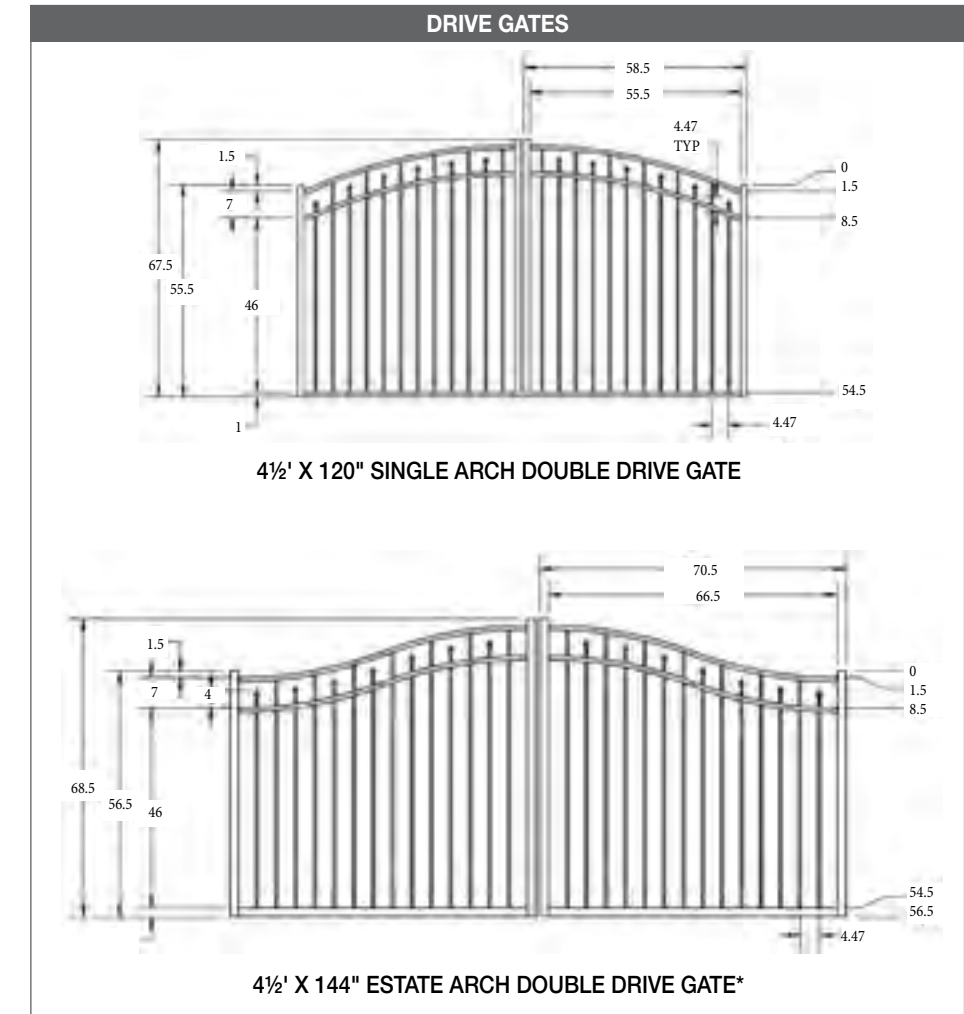
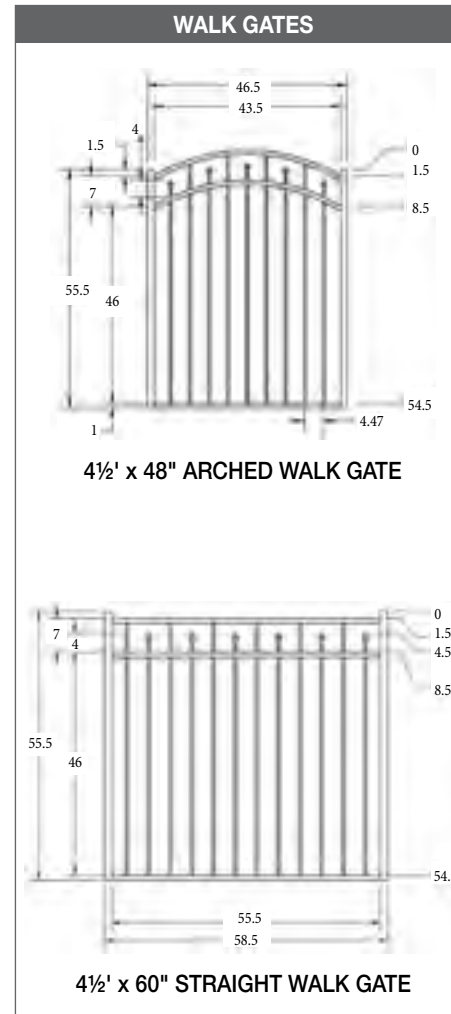
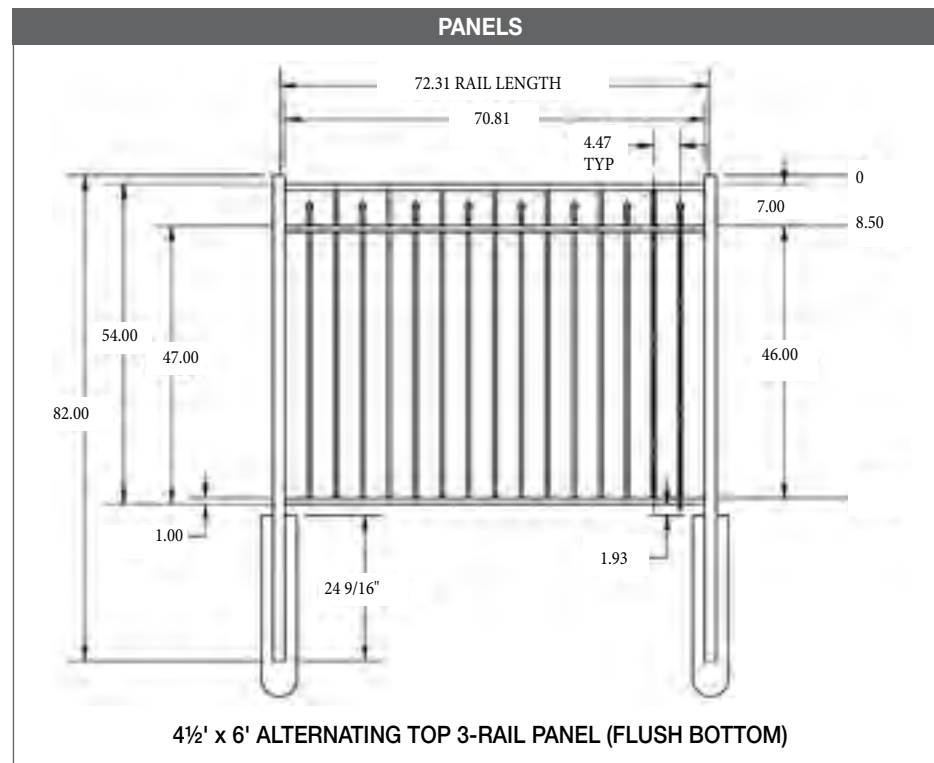
**4' H x 6' W • ALTERNATING SPEAR TOP 3-RAIL**  
 1" RAIL • 2" POSTS



**\*PLEASE NOTE:** For additional strength and stability, all gates beyond 6' wide are built with a thicker bottom frame that creates a flush bottom finish.

**RESIDENTIAL**  
**5/8" PICKET**

**4½' H x 6' W • ALTERNATING SPEAR TOP 3-RAIL**  
**(FLUSH BOTTOM) 1" RAIL • 2" POSTS**

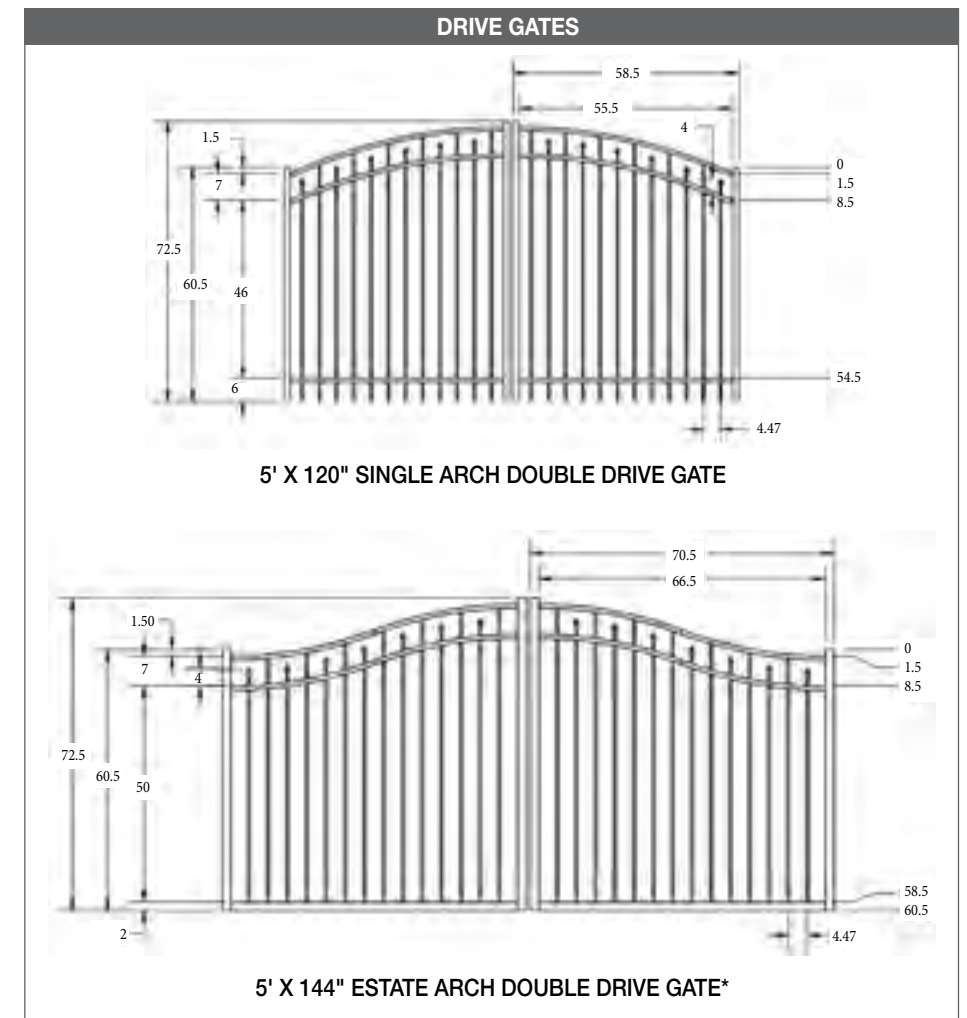
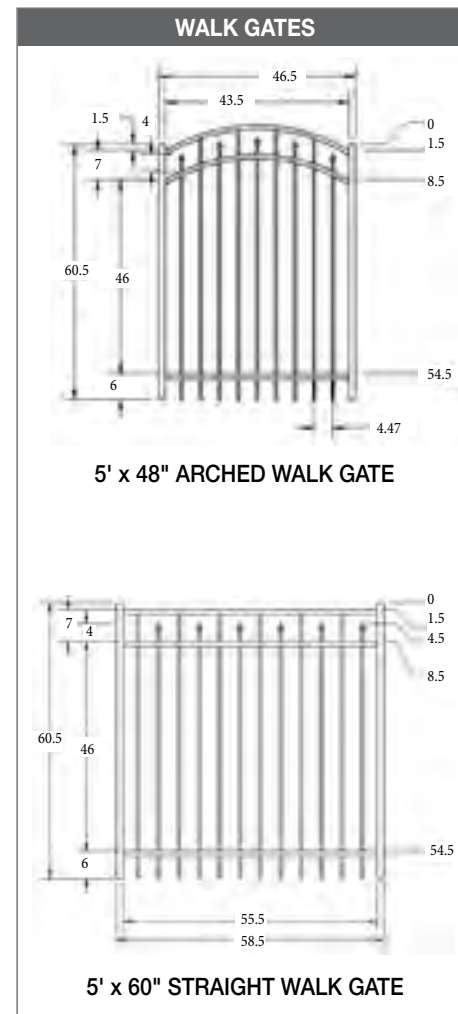
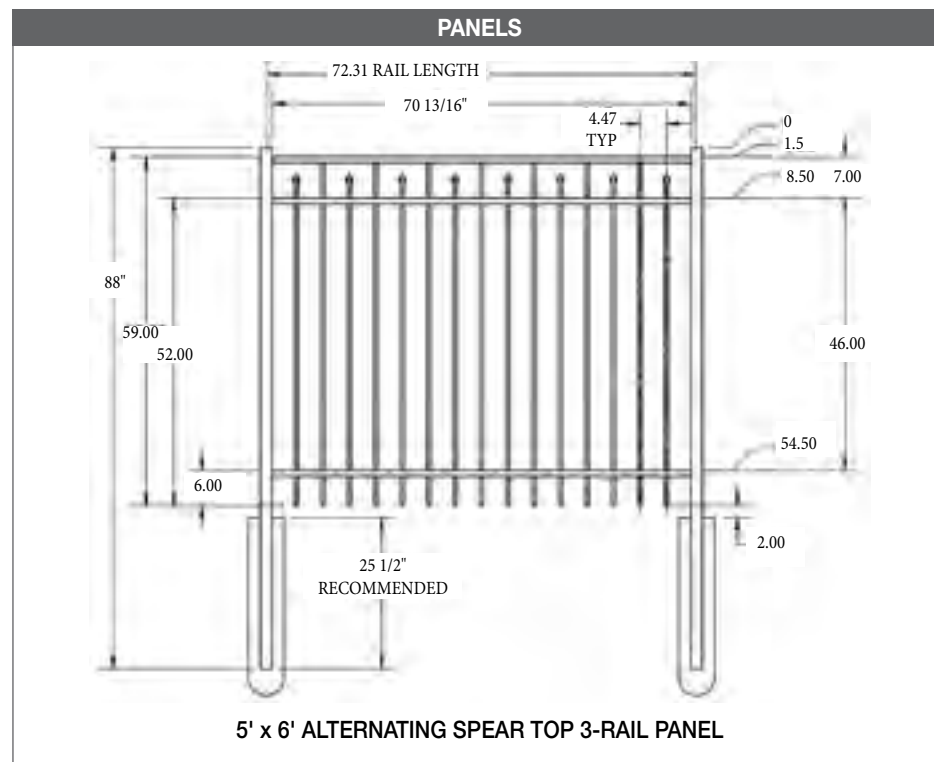


**\*PLEASE NOTE:** For additional strength and stability, all gates beyond 6' wide are built with a thicker bottom frame that creates a flush bottom finish.

**RESIDENTIAL**  
**5/8" PICKET**

**5' H x 6' W • ALTERNATING SPEAR TOP 3-RAIL**

1" RAIL • 2" POSTS



\*PLEASE NOTE: For additional strength and stability, all gates beyond 6' wide are built with a thicker bottom frame that creates a flush bottom finish.