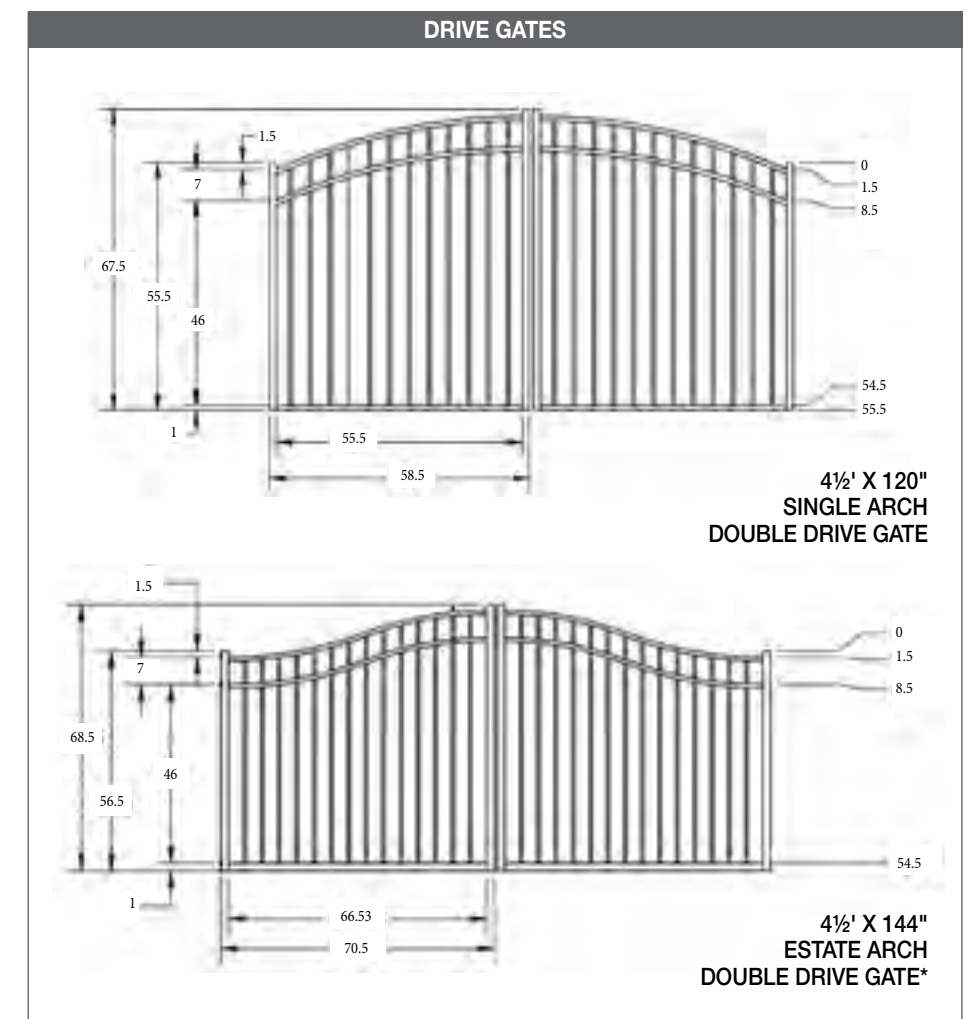
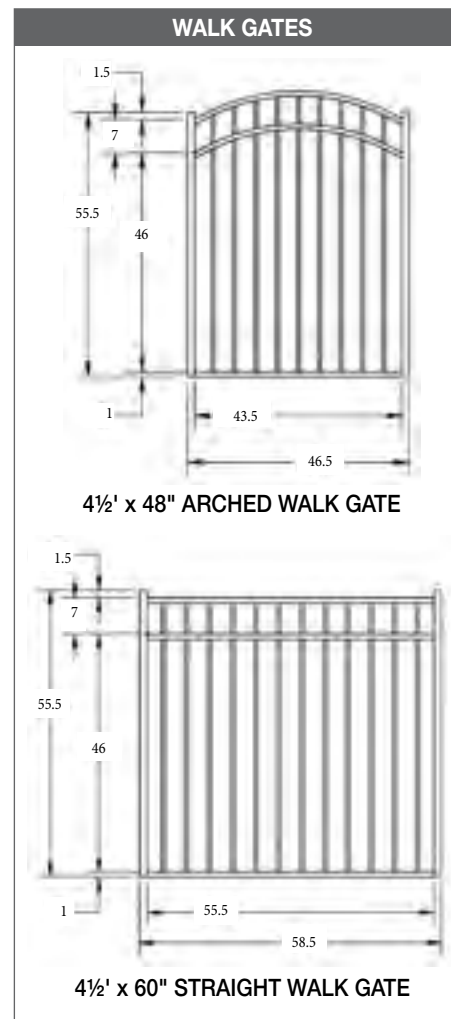
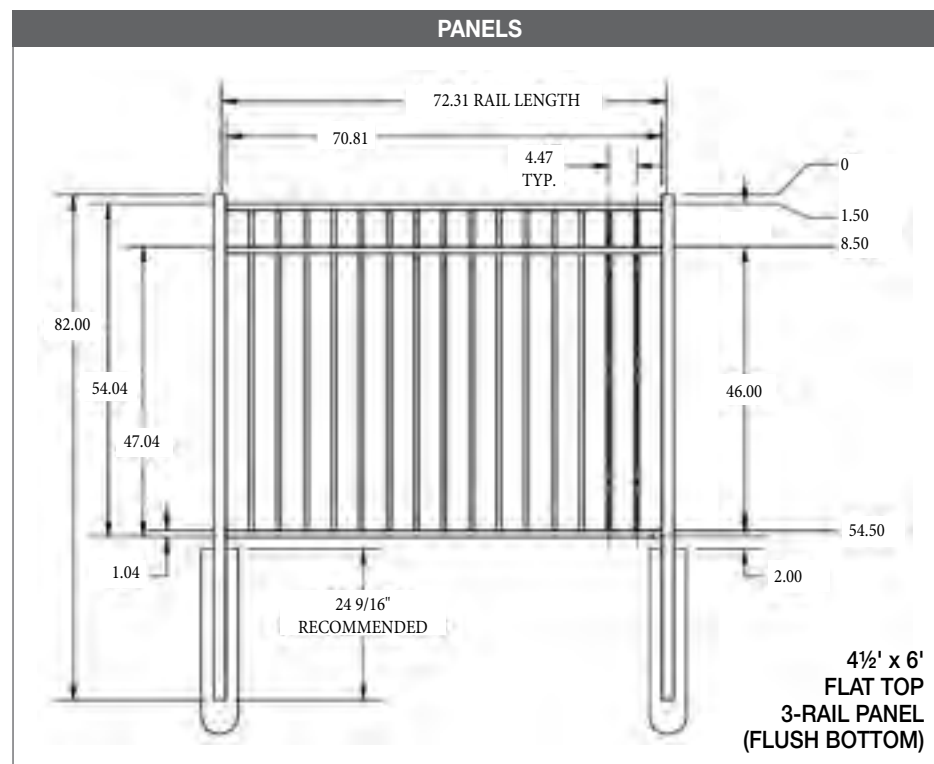


*PLEASE NOTE: For additional strength and stability, all gates beyond 6' wide are built with a thicker bottom frame that creates a flush bottom finish.

**RESIDENTIAL
3/4" PICKET**

4 1/2' H x 6' W • FLAT TOP 3-RAIL (FLUSH BOTTOM)

1" RAIL • 2" POSTS

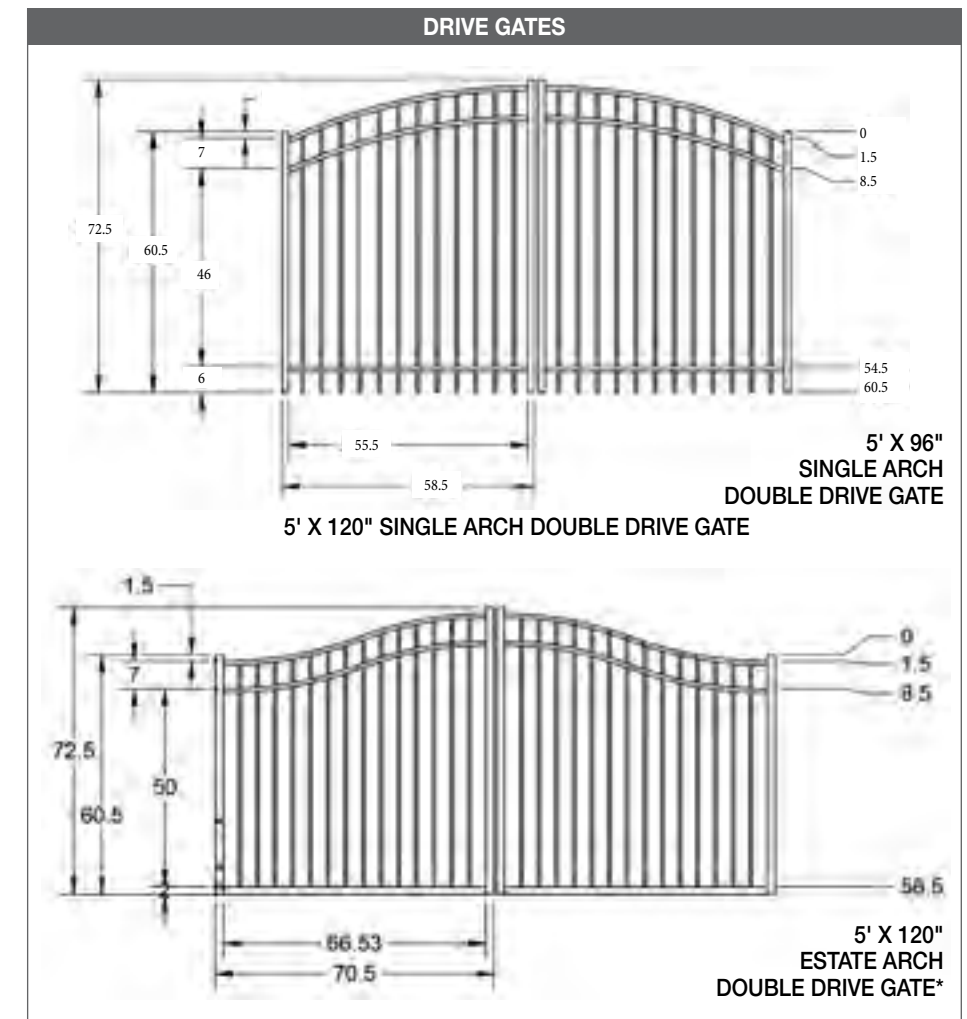
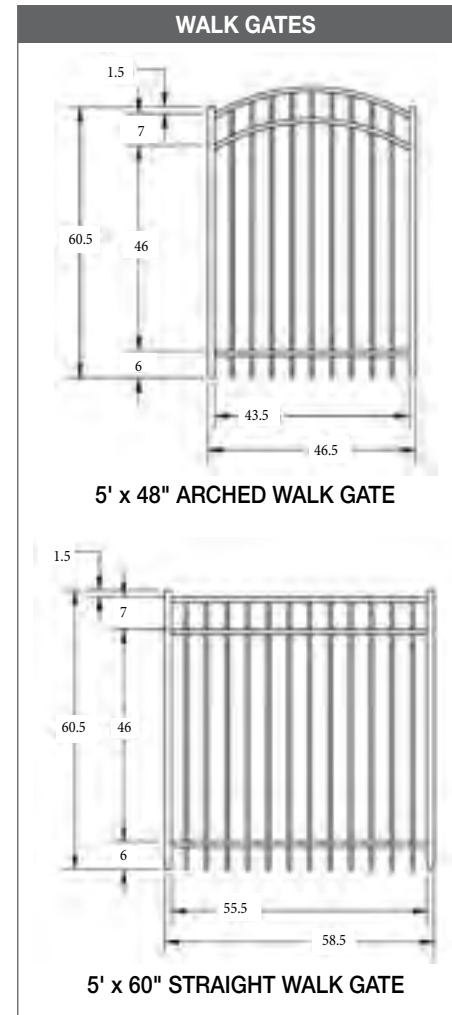
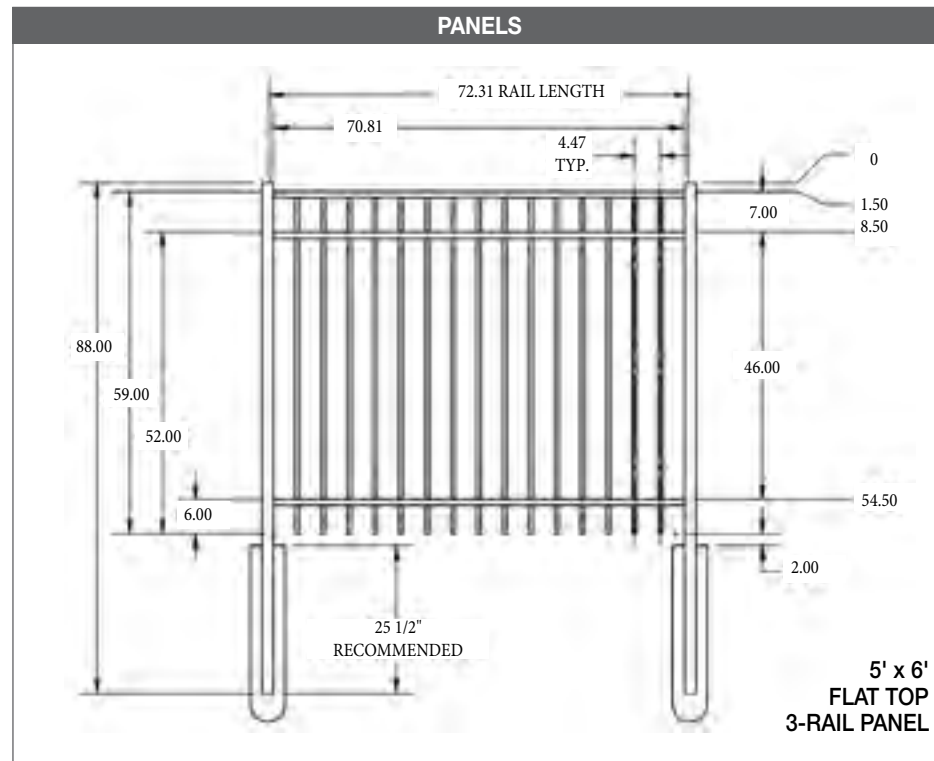


*PLEASE NOTE: For additional strength and stability, all gates beyond 6' wide are built with a thicker bottom frame that creates a flush bottom finish.

RESIDENTIAL
3/4" PICKET

5' H x 6' W • FLAT TOP 3-RAIL

1" RAIL • 2" POSTS



*PLEASE NOTE: For additional strength and stability, all gates beyond 6' wide are built with a thicker bottom frame that creates a flush bottom finish.

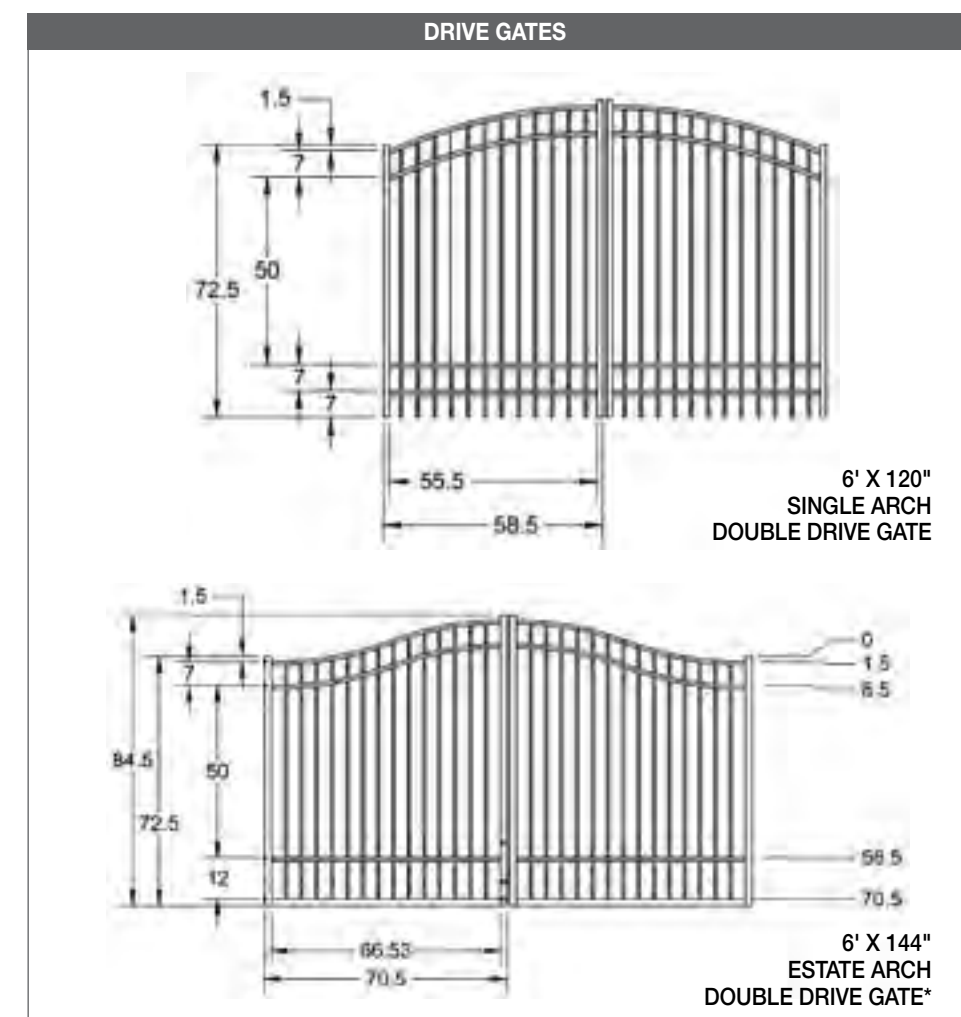
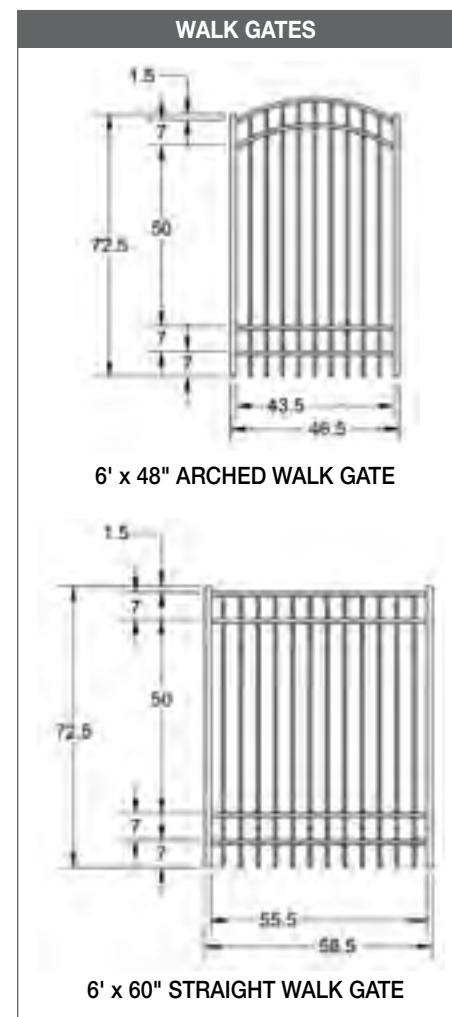
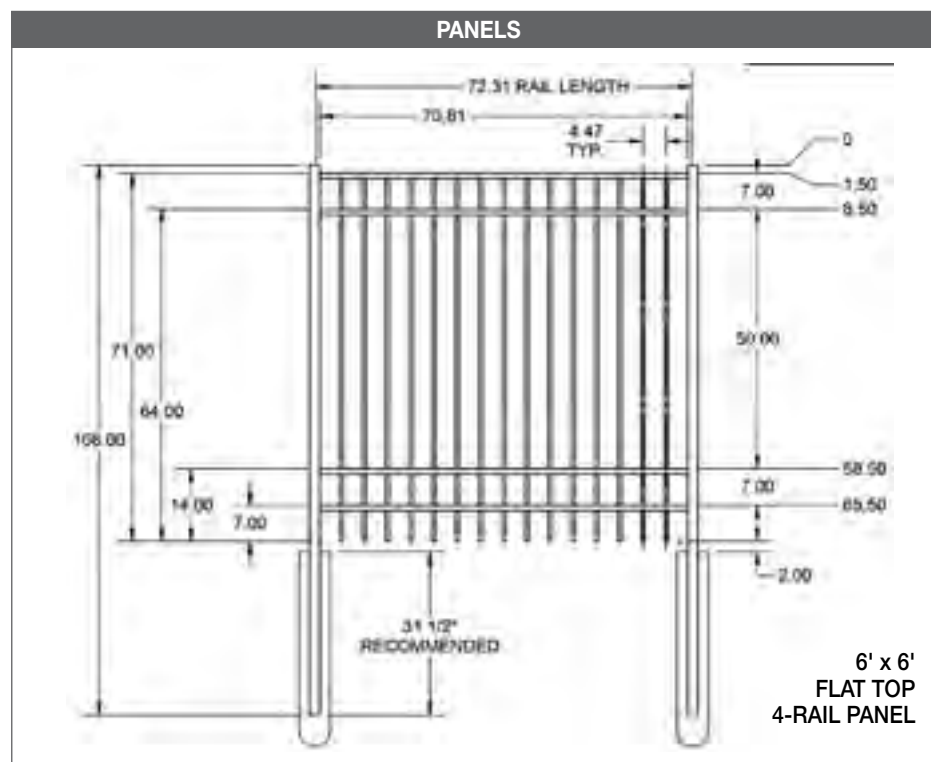
RESIDENTIAL
3/4" PICKET

6' H x 6' W • FLAT TOP 4-RAIL

1" RAIL • 2" POSTS



72.31 RAIL LENGTH



*PLEASE NOTE: For additional strength and stability, all gates beyond 6' wide are built with a thicker bottom frame that creates a flush bottom finish.