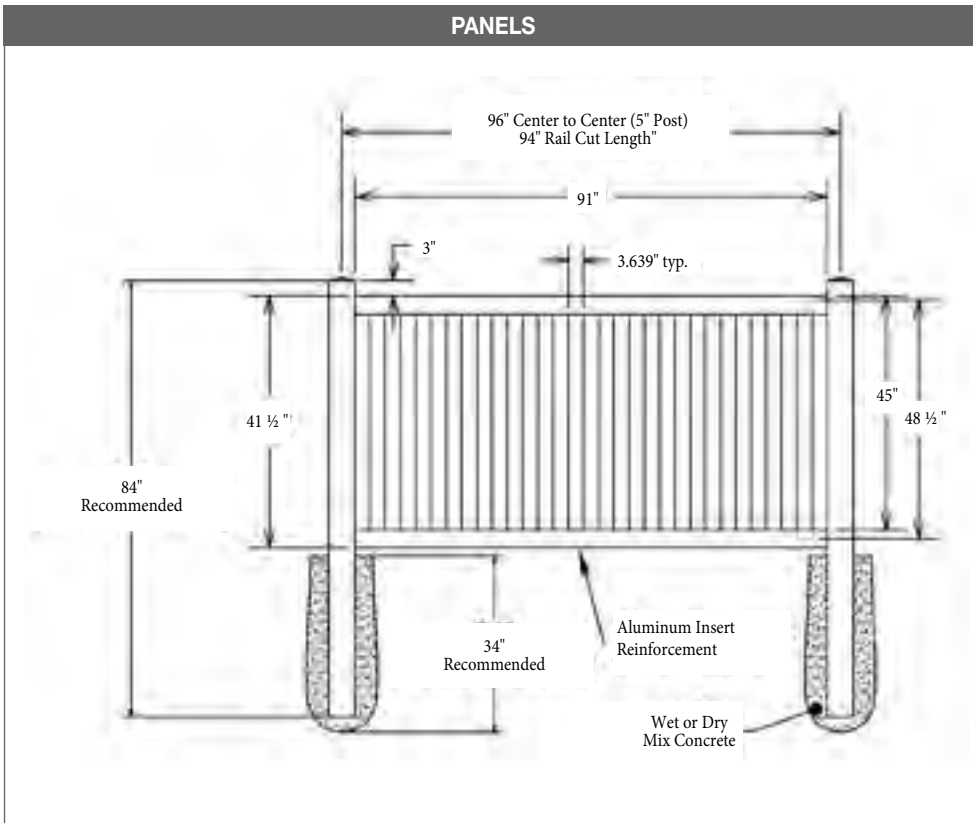


8 FOOT PICKET

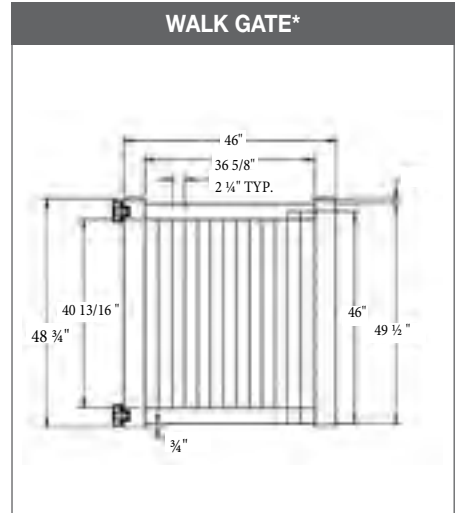
4' H x 8' W • 3" CLOSED PICKET 2 RAIL
 2" X 3½" RAILS • 3" PICKETS



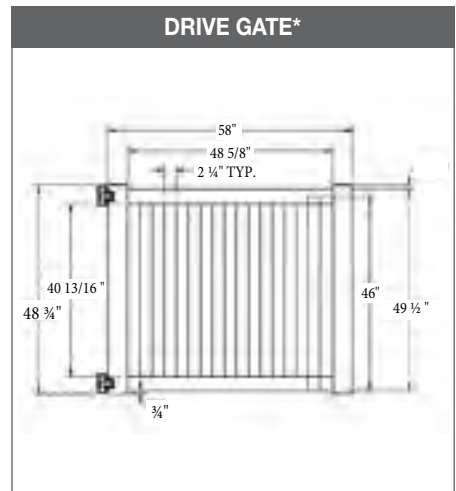
PANELS



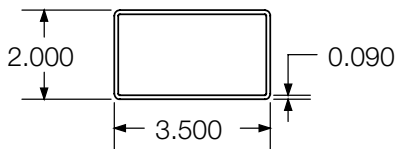
WALK GATE*



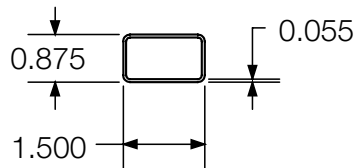
DRIVE GATE*



2" x 3½" Rail



7/8" x 1½" Picket



* Must use cross brace on gates when installing around a pool.