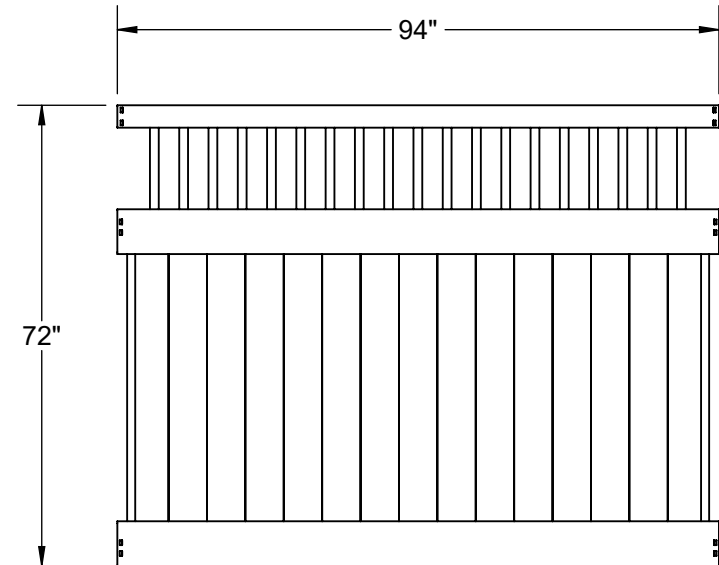
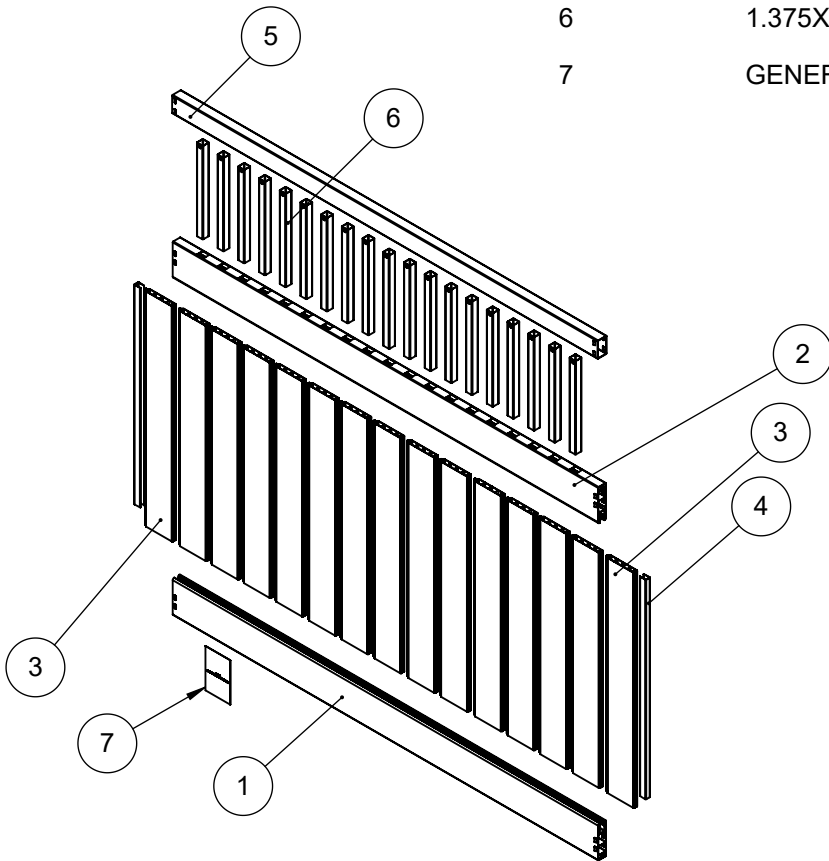


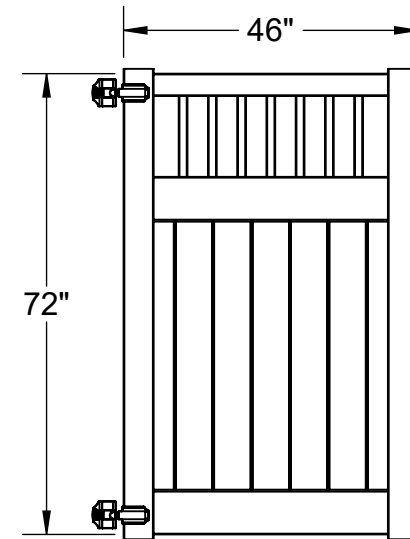
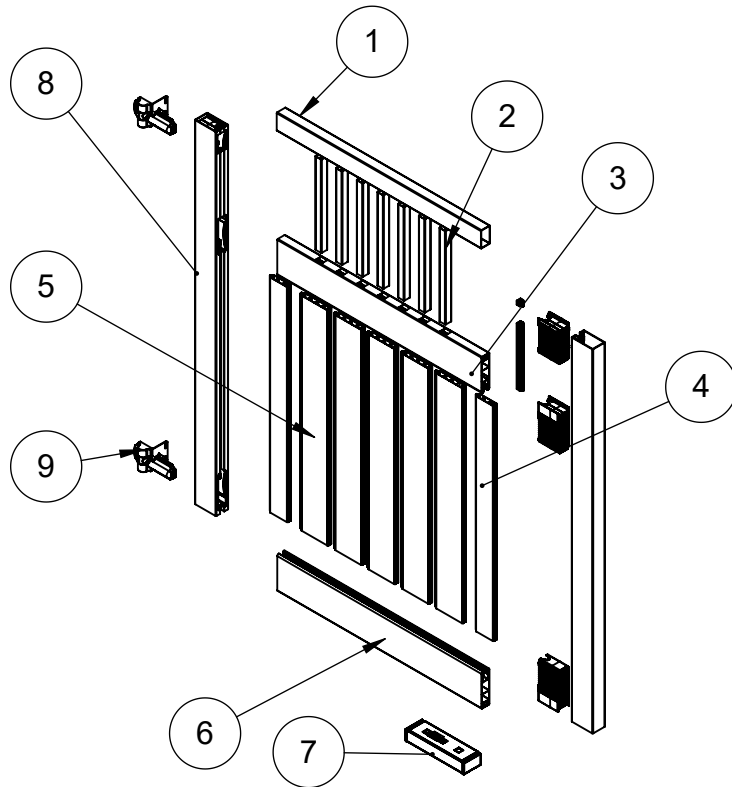
ITEM
NO.

DESCRIPTION

1	1.75X7X94 DECO W/ BARB EXTR
2	1.75X7X94 SGL RTE 1.3X1.3 DECO W/ BARB
3	.875X6X45 W/.035 GLIDELOCK
4	1.02X1.379X42 EXTR U-CHANNEL
5	2X3.5X94 SGL RTE 1.3X1.3X19 XCT WHITE
6	1.375X1.375X17.875 EXTR
7	GENERIC INSTR CARD VF/VG - PRO/SO 2020




ITEM NO.	73024921 WHITE	73024920 SAND	73040591 KHAKI	DESCRIPTION	QTY.
1	61116002	61116008	61117548	2X3.5X45.125 SGL RTE 1.3X1.3X7 WHITE	1
2	61109000	61108465	61117517	1.375X1.375X17.875 EXTR	7
3	61113991	61113995	61117542	1.75X7X45.125 SGL RTE 1.3X1.3X7 WHITE	1
4	61116684	61116696	61117568	.875X4X45 W/.050 GL EXTR WHITE	2
5	61109224	61109225	61117073	.875X6X45 W/.035 GLIDELock	5
6	61113969	61113971	61117043	1.75X7X45.125 DECO W/ BARB EXTR	1
7	61117390	61117391	61117396	2.25X3.875X13.25 PRIV GATE HWBOX-WHITE	1
8	61125534	61125535	61125536	2.75X4.70X73.5 IGP 1X7-2X3 RTE XCT W/UPI	2
9		34106924		HEAVY DUTY HINGE PAIR BLACK	1



REV	BY	DATE	PCR	DESCRIPTION
4	CRC	12/17/2020	201216CRC-A	SWAPPED UPRIGHTS
3	CRC	12/2/2019	191114CRC-A	SWAPPED UPRIGHTS
2	CRC	9/17/2019	N/A	CORRECTED HIEGHT DIM
1	CRC	9/6/2017	170810LEC-A	SWAPPED COMPONENTS WITH HARDWARE BOX; ADDED KHAKI

TOLERANCES	
FRACTION	±1/16
XX	±0.01
XXX	±0.005
ANGLE	±1.0°
FINISH	125 RMS
UNLESS OTHERWISE SPECIFIED	



BARRETTE
Outdoor Living

DRAWN: C.CLARK DATE: 8/7/2014 APPROVED: DW

DESCRIPTION: **6x46 1.75x7 GL35 CLSD1.3 VFG WH (OA)**

SHEET 1 OF 4

SCALE 1:30

WEIGHT: 47.13

REVISION PART NUMBER

4 **73024921**

THE INFORMATION CONTAINED IN THIS DRAWING IS PROTECTED BY COPYRIGHT AND PATENT LAWS OF THE UNITED STATES AND OTHER COUNTRIES. ANY REPRODUCTION IN PART OR AS A WHOLE WITHOUT WRITTEN PERMISSION IS PROHIBITED.

ITEM
NO.

DESCRIPTION

1	2X3.5X57.125 SGL RTE 1.3X1.3X10 WHITE
2	1.375X1.375X17.875 EXTR
3	1.75X7X57.125 SGL RTE 1.3X1.3X10 WHITE
4	.875X4X45 W/.050 GL EXTR WHITE
5	.875X6X45 W/.035 GLIDELOCK
6	1.75X7X57.125 DECO W/ BARB EXTR
7	2.25X3.875X13.25 PRIV GATE HWBOX-WHITE
8	2.75X4.70X73.5 IGP 1X7-2X3 RTE XCT W/UPI
9	HEAVY DUTY HINGE PAIR BLACK

