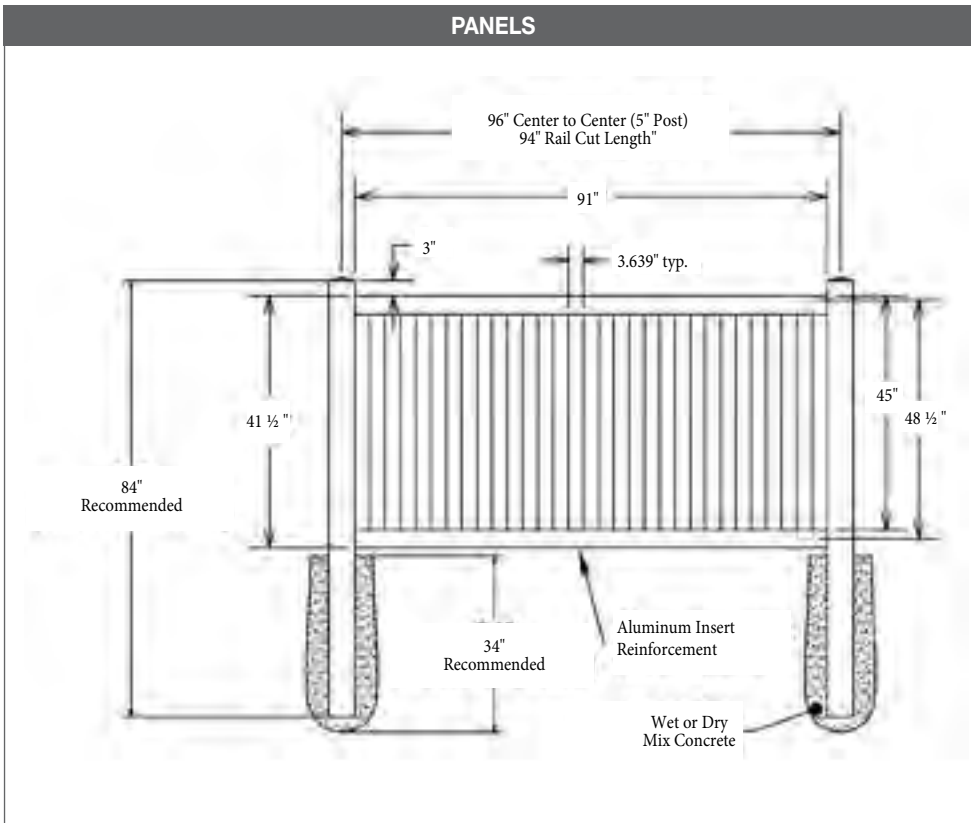


# 8 FOOT PICKET

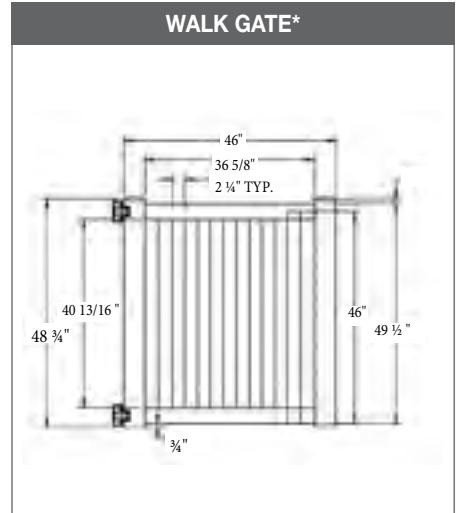
## 4' H x 8' W • 3" CLOSED PICKET 2 RAIL 2" X 3½" RAILS • 3" PICKETS



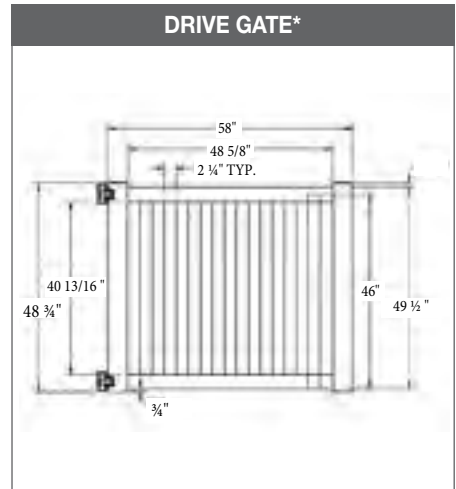
### PANELS



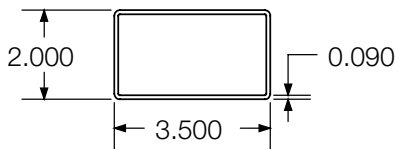
### WALK GATE\*



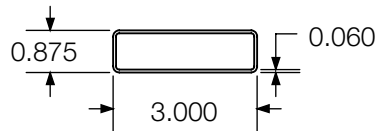
### DRIVE GATE\*



### 2" x 3½" Rail



### 7/8" x 3" Picket



\* Must use cross brace on gates when installing around a pool.