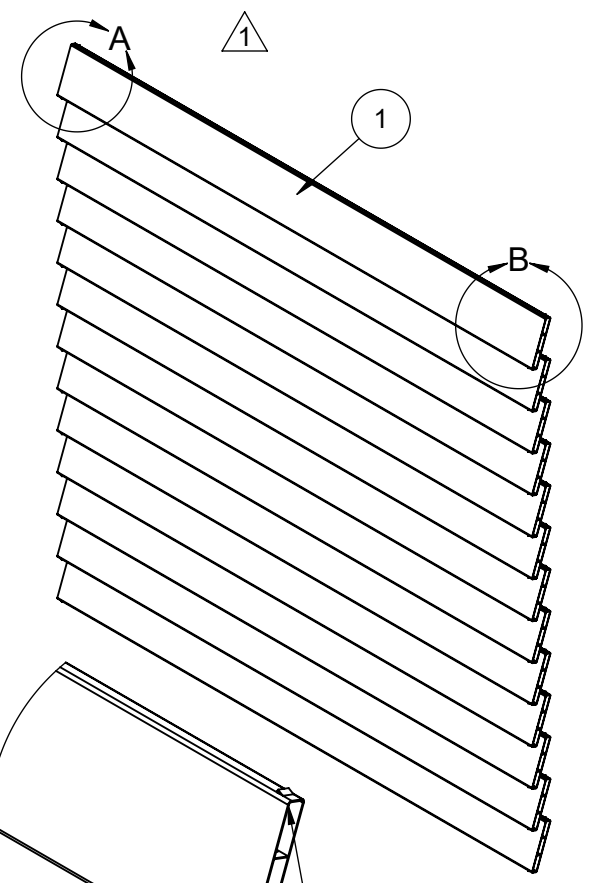
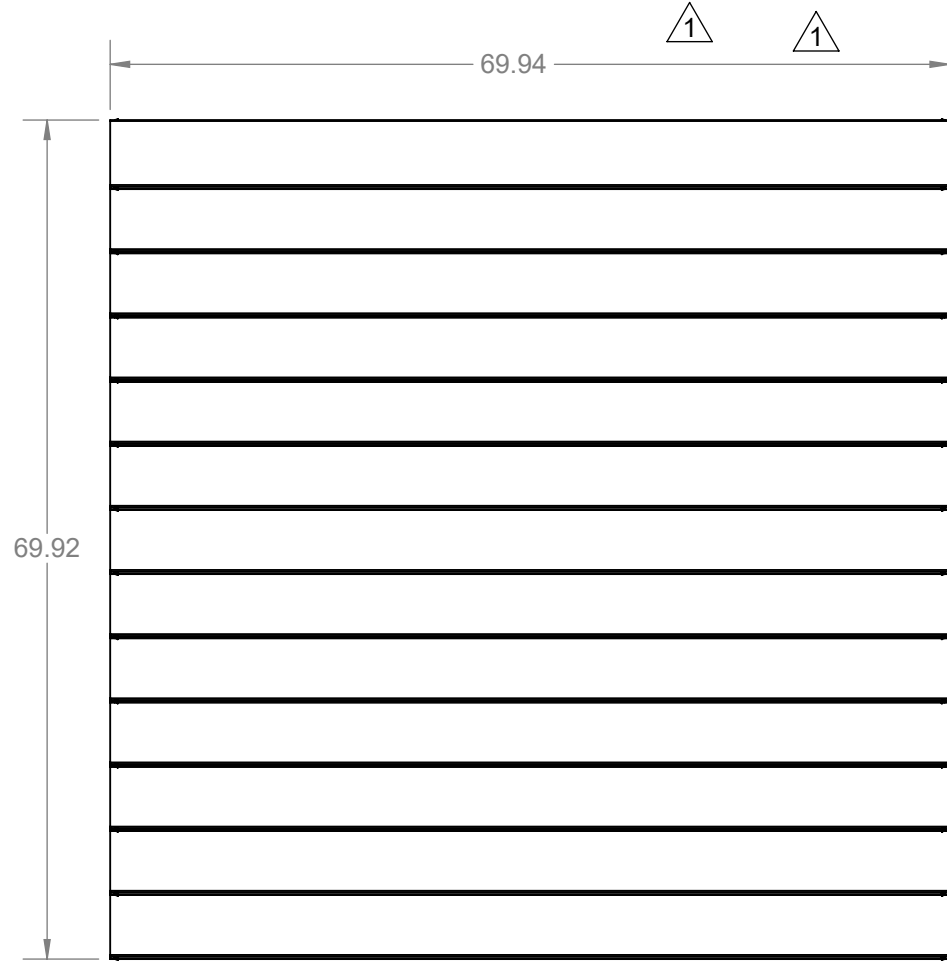


ITEM NO.	DESCRIPTION
1	.75X5.94X69.94 EXTR .050 W

QTY
13



LOCKTABBED
INFILL

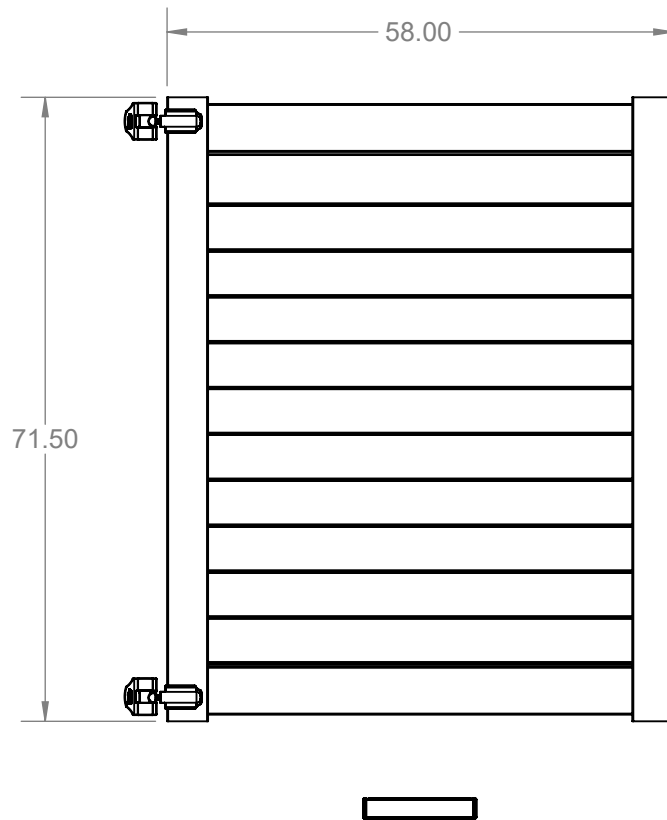
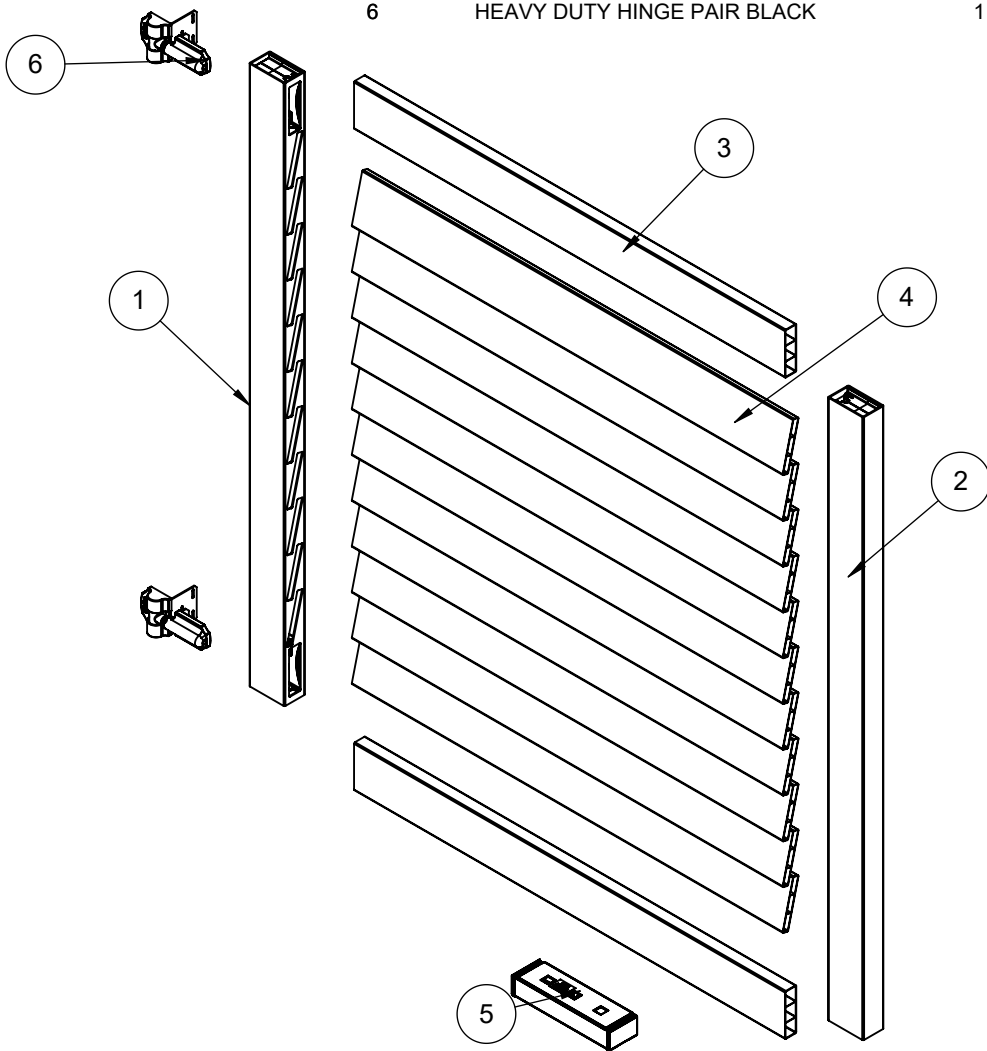
DETAIL A
SCALE 1 : 6

DETAIL B
SCALE 1 : 6

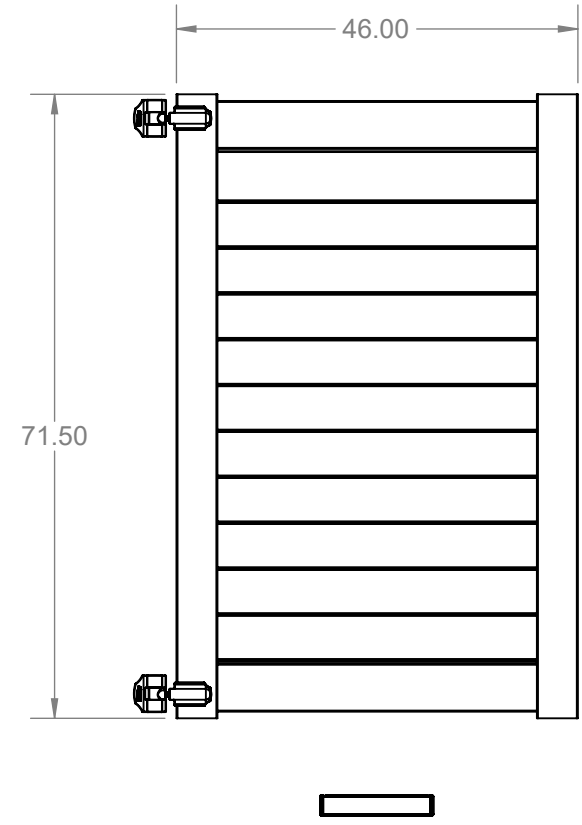
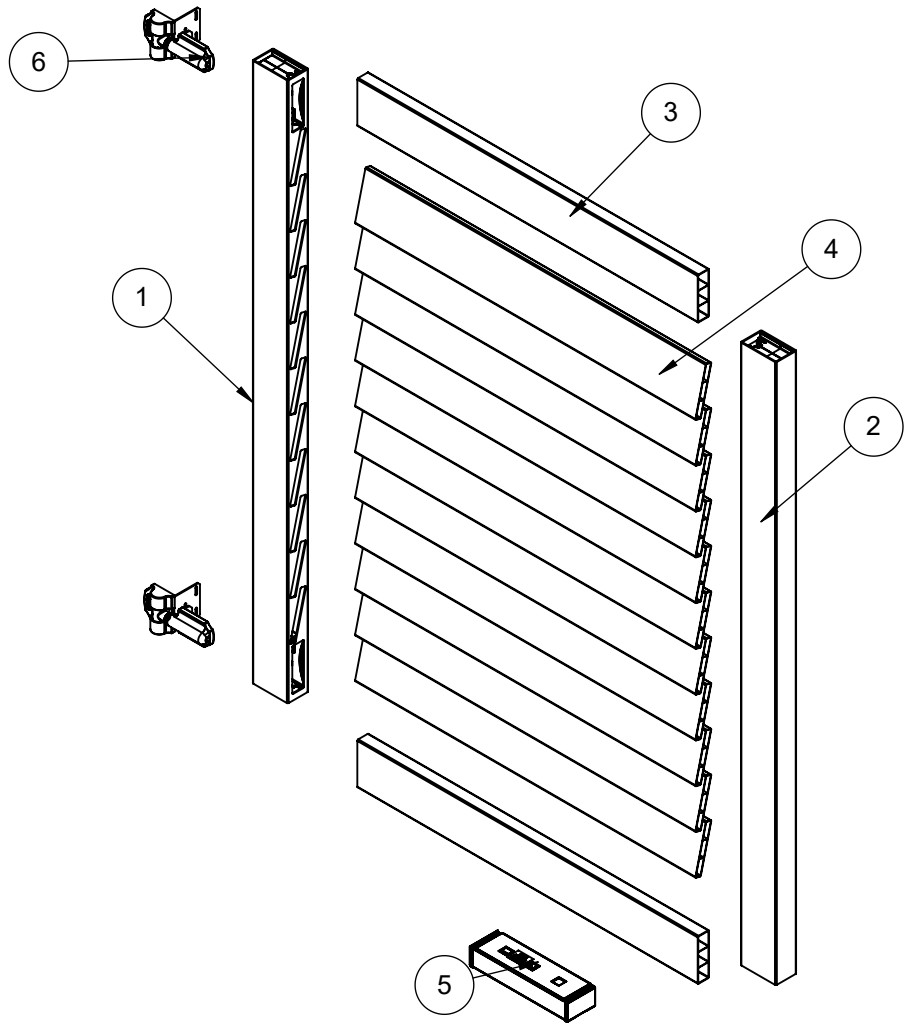
LOCKTABBED
INFILL

THE INFORMATION CONTAINED IN THIS DRAWING IS PROTECTED BY COPYRIGHT AND PATENT LAWS OF THE UNITED STATES AND OTHER COUNTRIES. ANY REPRODUCTION IN PART OR AS A WHOLE WITHOUT WRITTEN PERMISSION IS PROHIBITED.

ITEM NO.	DESCRIPTION	QTY
1	2.75X4.70X71.5 1.5X5.5 .75X6 LT-L WH UPI	1
2	2.75X4.70X71.5 1.5X5.5 .75X6 RT-L WH UPI	1
3	1.5X5.5X57.125 W/.080W EXTR	2
4	.75X5.94X57.125 EXTR WHITE	11
5	2.25X3.875X13.25 PRIV GATE HWBOX-WHITE	1
6	HEAVY DUTY HINGE PAIR BLACK	1



ITEM NO.	DESCRIPTION	QTY
1	2.75X4.70X71.5 1.5X5.5 .75X6 LT-L WH UPI	1
2	2.75X4.70X71.5 1.5X5.5 .75X6 RT-L WH UPI	1
3	1.5X5.5X45.125 W/.080W EXTR	2
4	.75X5.94X45.125 EXTR WHITE	11
5	2.25X3.875X13.25 PRIV GATE HWBOX-WHITE	1
6	HEAVY DUTY HINGE PAIR BLACK	1



1. 13 ROUTES PER SIDE

