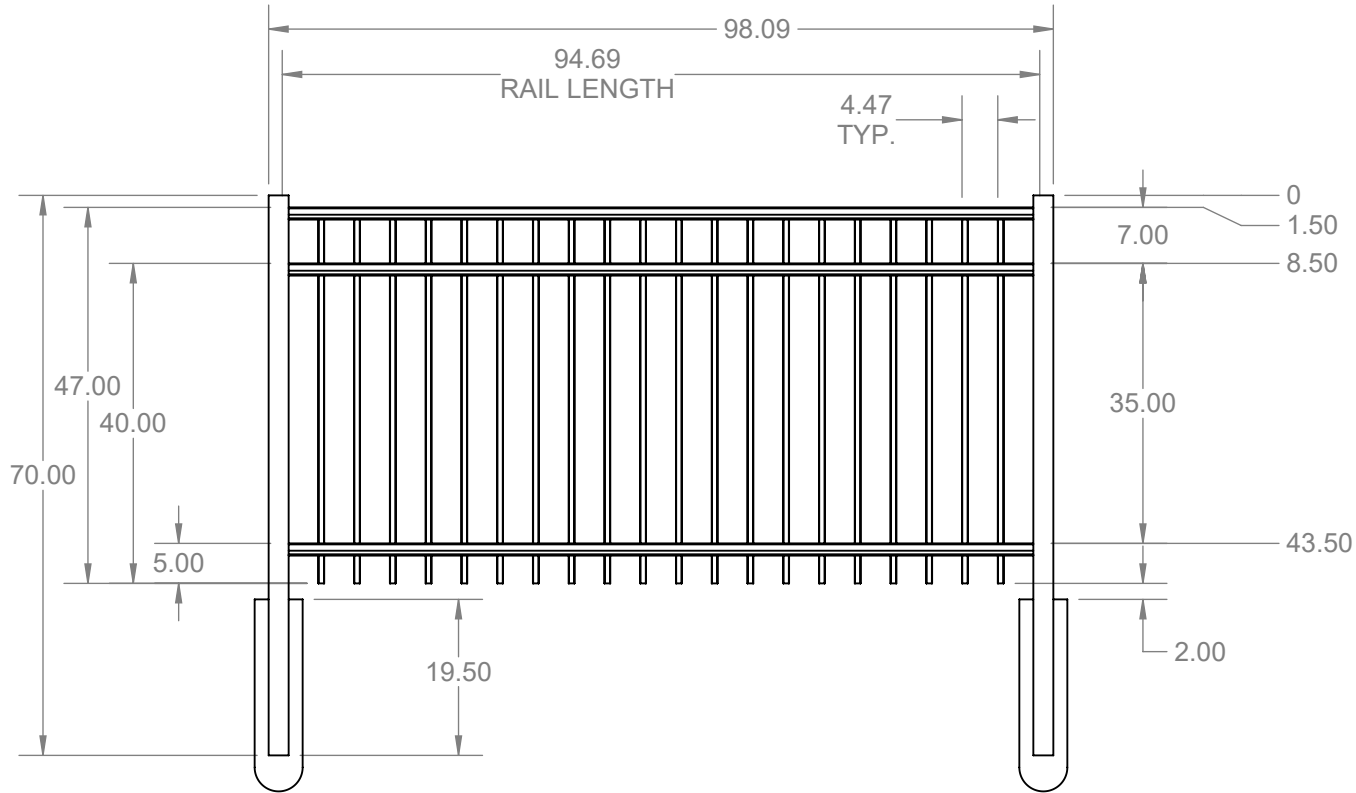


**NOTE:**

1. POSTS SHOWN IN VIEW ARE FOR REFERENCE ONLY.
2. BUILD PANEL ACCORDING TO BOM.

| ITEM NO. | DESCRIPTION                      | QTY. |
|----------|----------------------------------|------|
| 1        | COM FENCE-RAIL 20HOL 94.687      | 2    |
| 2        | 3/4x46.813x055 AL-TUB 4' FT BK-G | 20   |
| 3        | CORIGIN BUMP STRIP WITH SNAP     | 12   |
| 4        | COM FENCE-RAIL 94.687            | 1    |



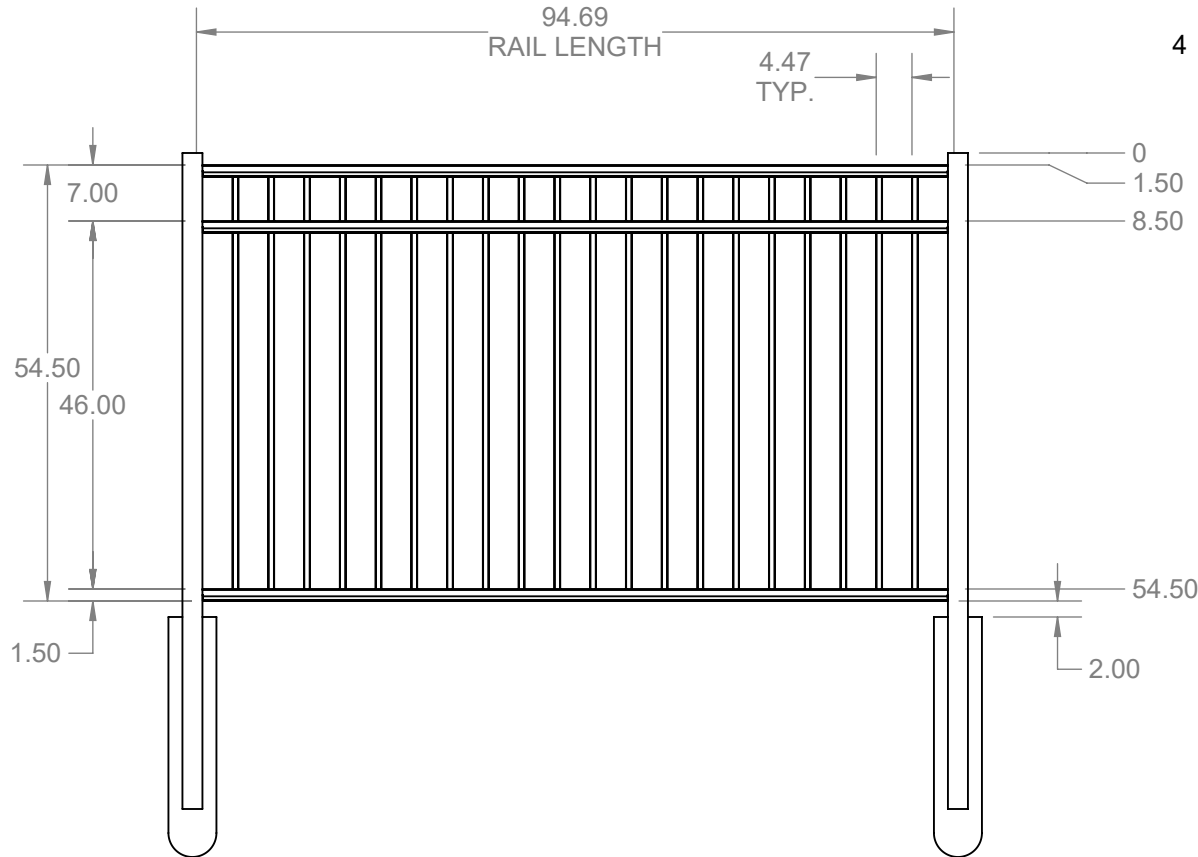
**4X8 FLAT TOP COM'L PANEL**

THE INFORMATION CONTAINED IN THIS DRAWING IS PROTECTED BY COPYRIGHT AND PATENT LAWS OF THE UNITED STATES AND OTHER COUNTRIES. ANY REPRODUCTION IN PART OR AS A WHOLE WITHOUT WRITTEN PERMISSION IS PROHIBITED.

**NOTE:**

1. POSTS SHOWN IN VIEW ARE FOR REFERENCE ONLY.
2. BUILD PANEL ACCORDING TO BOM.

| ITEM NO. | DESCRIPTION                      | QTY. |
|----------|----------------------------------|------|
| 1        | COM FENCE-RAIL 20HOL 94.687      | 2    |
| 2        | COM FENCE-RAIL 94.687            | 1    |
| 3        | 3/4x53.75x055 AL-TUB 54" FT BK-H | 20   |
| 4        | CORIGIN BUMP STRIP WITH SNAP     | 12   |



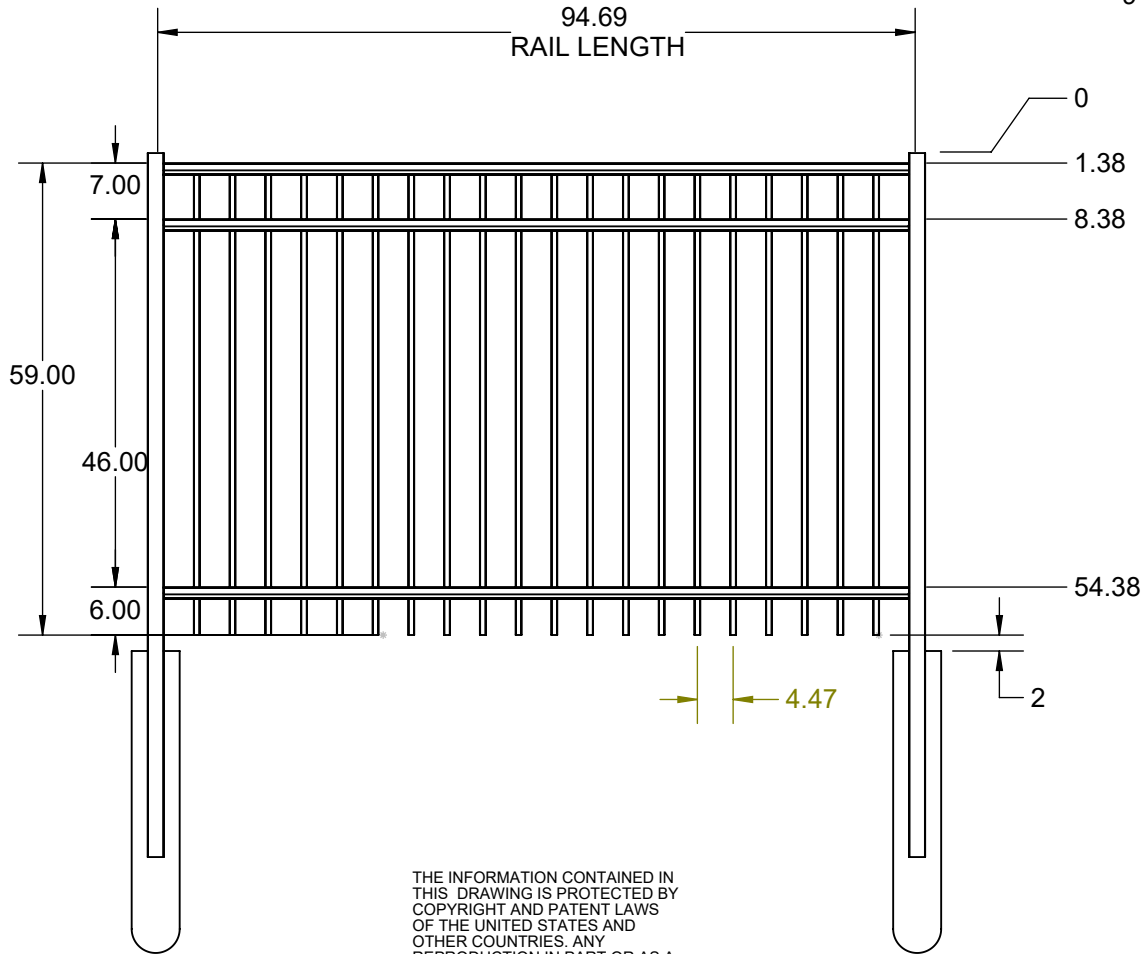
**54X8 FLAT TOP COM'L PANEL**

THE INFORMATION CONTAINED IN THIS DRAWING IS PROTECTED BY COPYRIGHT AND PATENT LAWS OF THE UNITED STATES AND OTHER COUNTRIES. ANY REPRODUCTION IN PART OR AS A WHOLE WITHOUT WRITTEN PERMISSION IS PROHIBITED.

NOTE:

1. POSTS SHOWN IN VIEW ARE FOR REFERENCE ONLY.
2. BUILD PANEL ACCORDING TO BOM.

| ITEM NO. | DESCRIPTION                          | QTY. |
|----------|--------------------------------------|------|
| 1        | COM FENCE/GATE-RAIL 20HOL 94.6 BK    | 2    |
| 2        | (EPN-0479) 1.1"X1.5" 8' FLT TOP RAIL | 1    |
| 3        | (EPN-0646) 5 FT-3R-FLAT TOP PICKET   | 20   |
| 9        | 2" SQUARE TUBE 88" EPN-0482          | 2    |

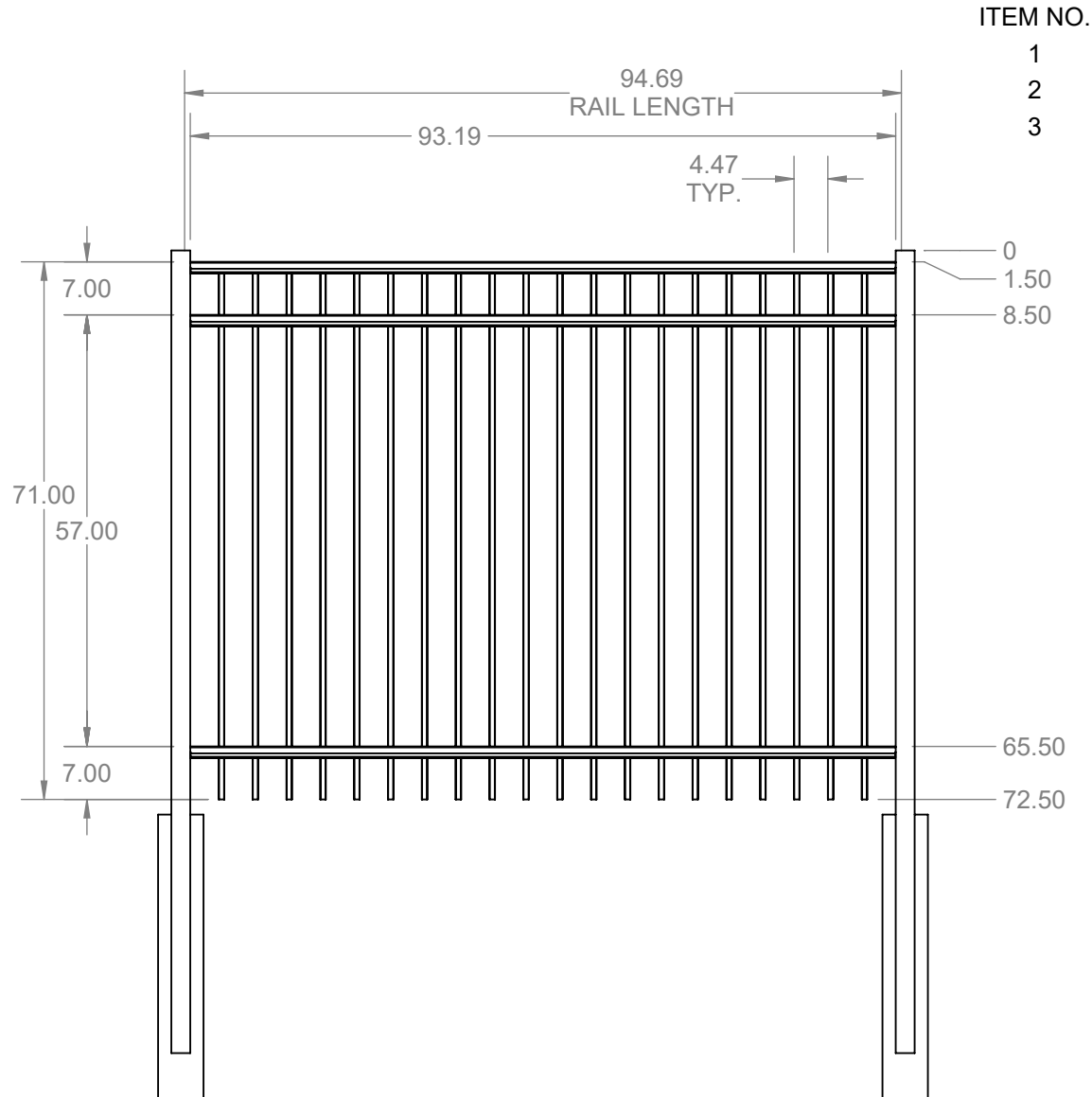


5X8 FLAT TOP COM'L PANEL

THE INFORMATION CONTAINED IN THIS DRAWING IS PROTECTED BY COPYRIGHT AND PATENT LAWS OF THE UNITED STATES AND OTHER COUNTRIES. ANY REPRODUCTION IN PART OR AS A WHOLE WITHOUT WRITTEN PERMISSION IS PROHIBITED.

NOTE:

1. POSTS SHOWN IN VIEW ARE FOR REFERENCE ONLY.
2. BUILD PANEL ACCORDING TO BOM.



| ITEM NO. | DESCRIPTION                         | QTY. |
|----------|-------------------------------------|------|
| 1        | COM FENCE-RAIL 20HOL 94.687         | 3    |
| 2        | 3/4x70.813x055 AL-TUB 6' FT-3R BK-R | 20   |
| 3        | CORIGIN BUMP STRIP WITH SNAP        | 12   |

6X8 FLAT TOP COM'L PANEL

THE INFORMATION CONTAINED IN THIS DRAWING IS PROTECTED BY COPYRIGHT AND PATENT LAWS OF THE UNITED STATES AND OTHER COUNTRIES. ANY REPRODUCTION IN PART OR AS A WHOLE WITHOUT WRITTEN PERMISSION IS PROHIBITED.