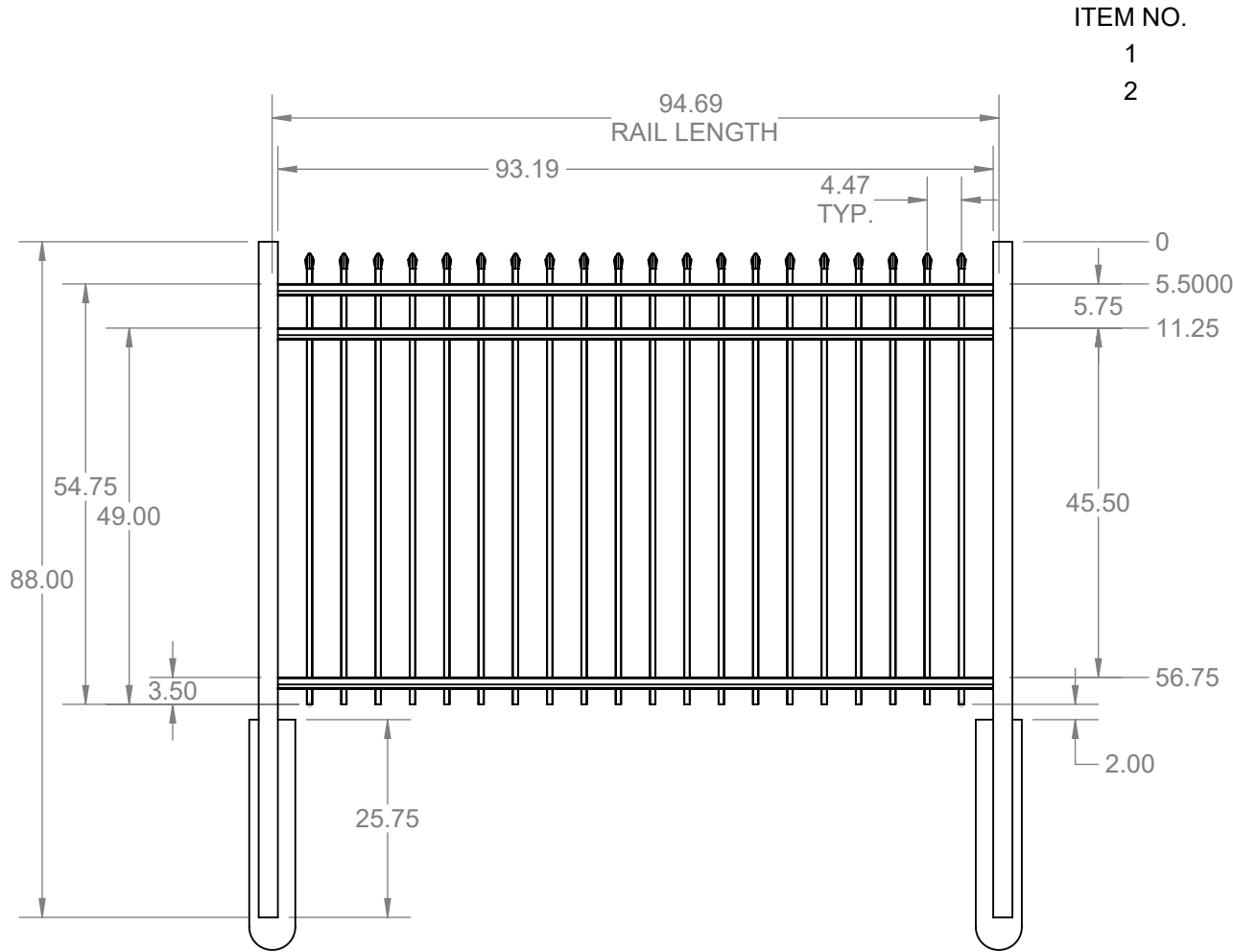


NOTE:

1. POSTS SHOWN IN VIEW ARE FOR REFERENCE ONLY.
2. BUILD PANEL ACCORDING TO BOM.



ITEM NO.	DESCRIPTION	QTY.
1	(EPN-0479) 1.1"X1.5" 8' STANDARD PNCH	3
2	3/4x58.75x055 AL-TUB 5' PT BK-C	20

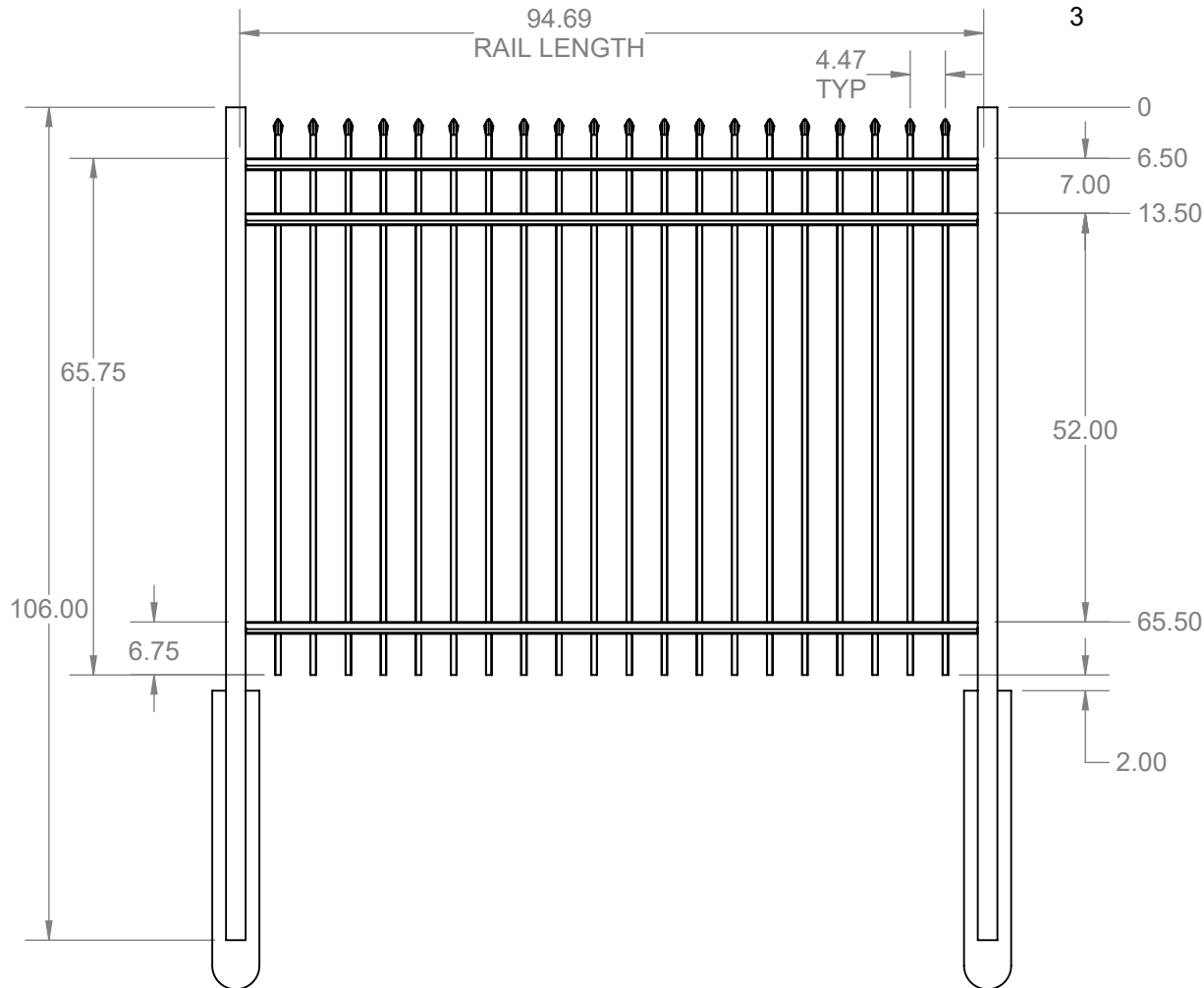
5X8 COM'L PICKET TOP PANEL

THE INFORMATION CONTAINED IN THIS DRAWING IS PROTECTED BY COPYRIGHT AND PATENT LAWS OF THE UNITED STATES AND OTHER COUNTRIES. ANY REPRODUCTION IN PART OR AS A WHOLE WITHOUT WRITTEN PERMISSION IS PROHIBITED.

NOTE:

1. POSTS SHOWN IN VIEW ARE FOR REFERENCE ONLY.
2. BUILD PANEL ACCORDING TO BOM.

ITEM NO.	DESCRIPTION	QTY.
1	COM FENCE/GATE-RAIL 20HOL 94.6 BK	3
2	3/4x70.75x055 AL-TUB 6' PT-3R BK-M	20
3	CORIGIN BUMP STRIP WITH SNAP	12



6X8 COM'L PICKET TOP PANEL

THE INFORMATION CONTAINED IN THIS DRAWING IS PROTECTED BY COPYRIGHT AND PATENT LAWS OF THE UNITED STATES AND OTHER COUNTRIES. ANY REPRODUCTION IN PART OR AS A WHOLE WITHOUT WRITTEN PERMISSION IS PROHIBITED.