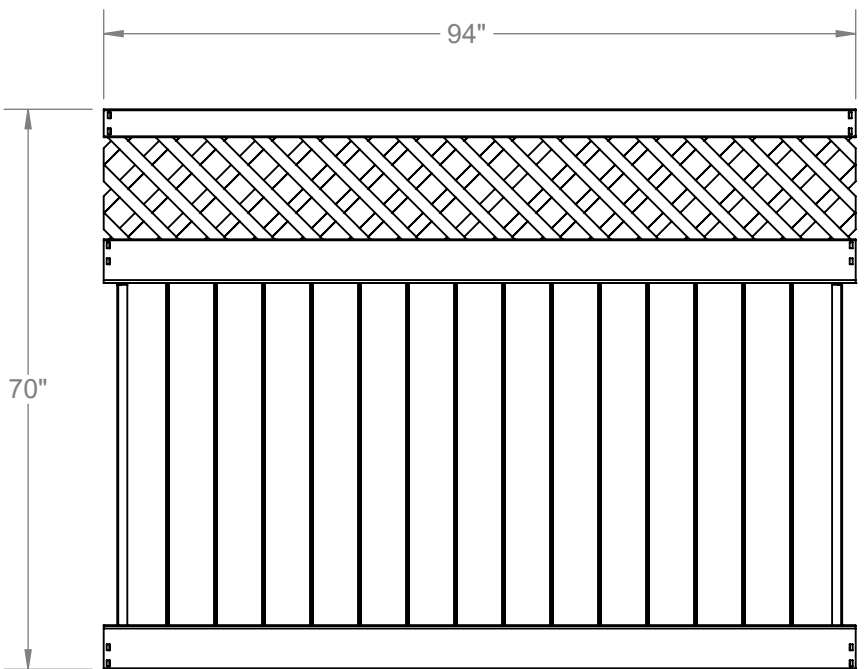
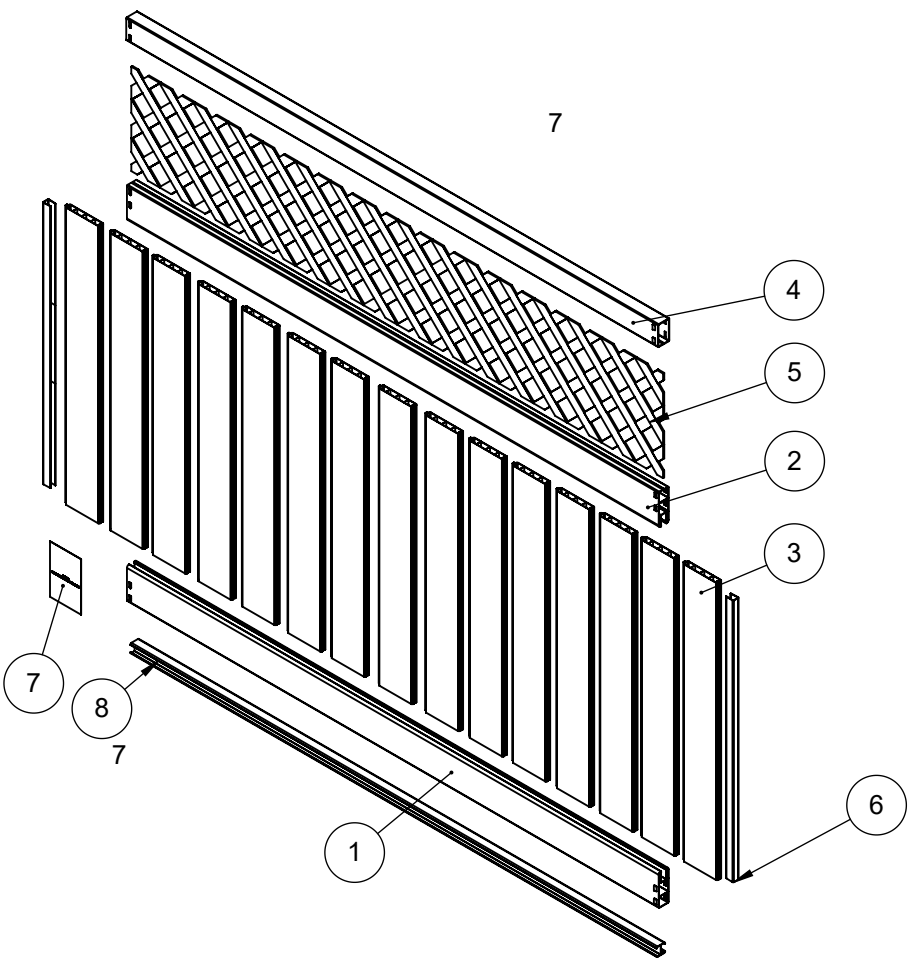


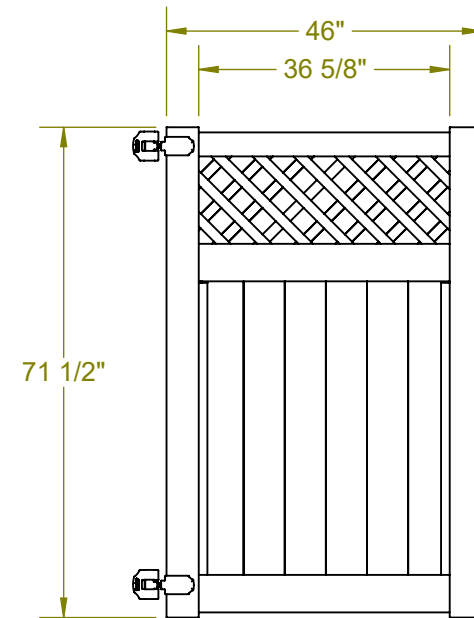
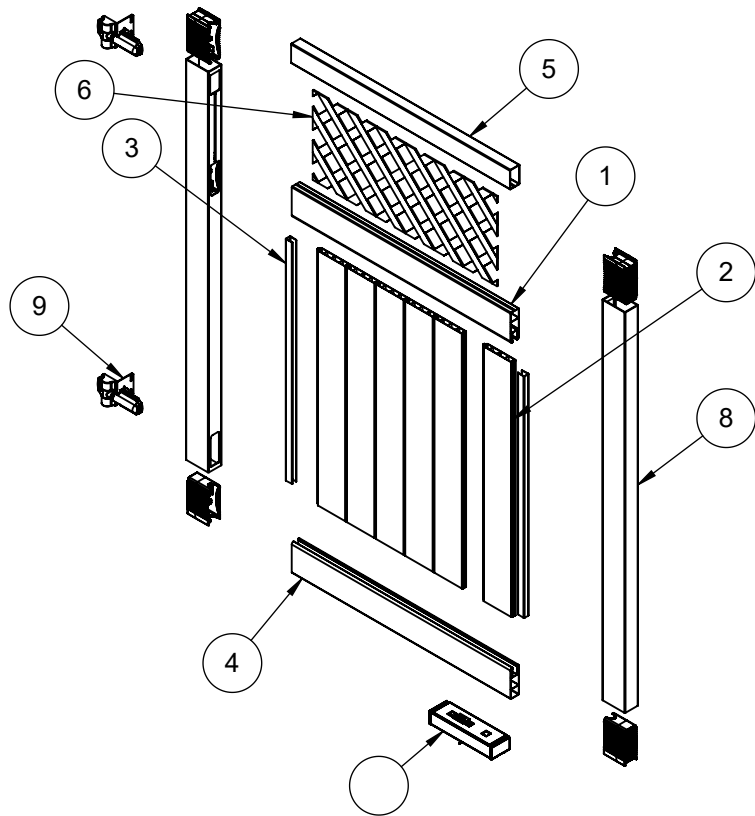
ITEM NO.	DESCRIPTION	QTY
3	.875X6X45.5 W/.035W EXTR T&G	15
1	1.75X5.47X94 W/ .055W DECO EXTR WHITE	1
2	1.75X5.47X94 W/.055W DECO SLIT WHITE	1
4	2X3.5X94 TOP RAIL W/SLIT & LT	1
5	16x94 CLASSIC DIAMOND LAT - WHITE	1
6	1.02X1.379X43.125 EXTR U-CANNEL WHITE	2
7	GENERIC INSTR CARD VF/VG - PRO/SO 2020	1
8	1.54X1.60X93 EPN-0762 AL I-BEAM	1



6x8 1.75x5.5 08703TG35LAT16CD VFP
 WH (EF)

THE INFORMATION CONTAINED IN THIS DRAWING IS PROTECTED BY COPYRIGHT AND PATENT LAWS OF THE UNITED STATES AND OTHER COUNTRIES. ANY REPRODUCTION IN PART OR AS A WHOLE WITHOUT WRITTEN PERMISSION IS PROHIBITED.

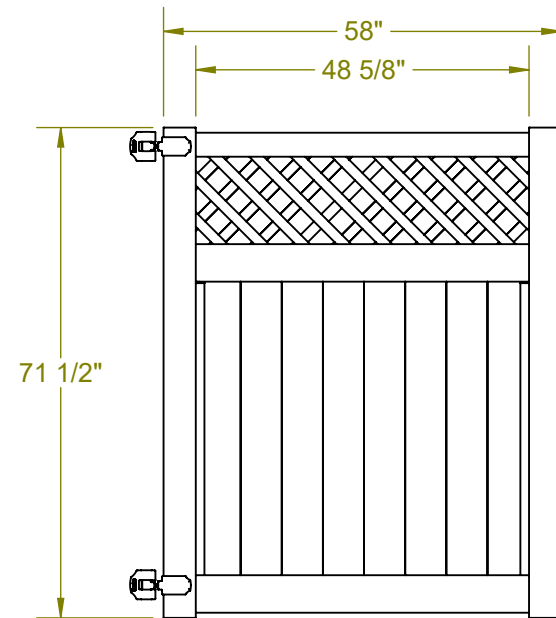
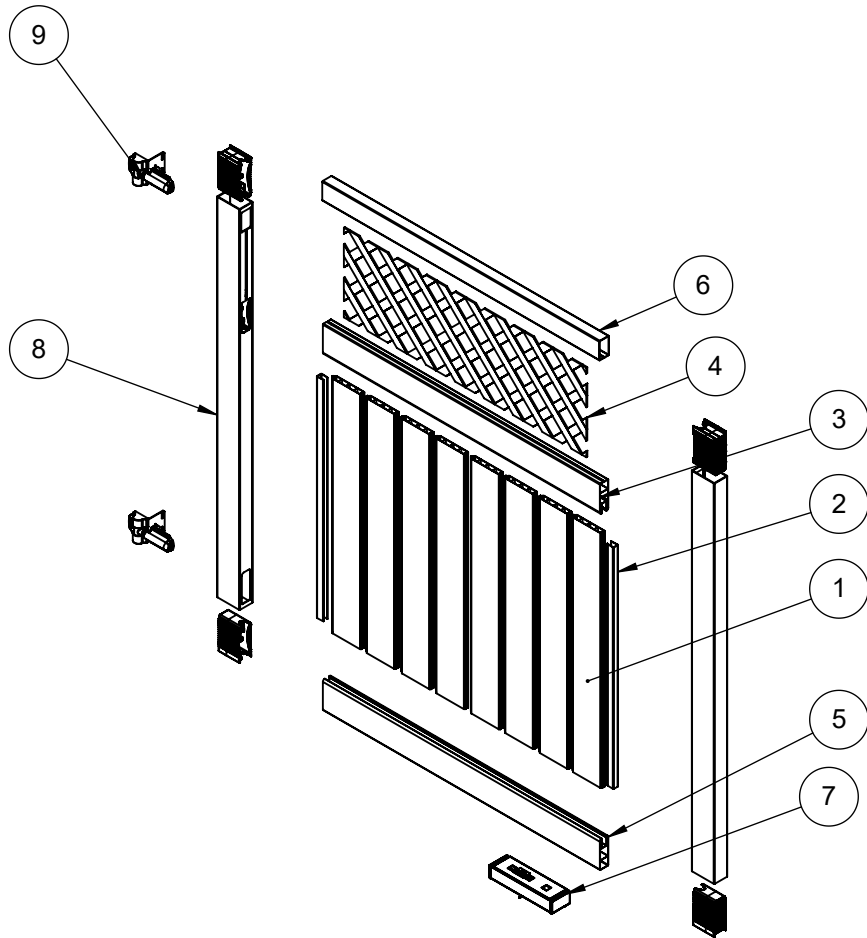
ITEM NO.	DESCRIPTION	QTY.
1	1.75X5.47X45.125 SGL RTE .25 SLIT WHITE	1
2	.875X6X45.5 W/.035W EXTR T&G	6
3	1.02X1.379X43.125 EXTR U-CHANNEL WHITE	2
4	1.75X5.47X45.125 W/.055W DECO EXTR WHT	1
5	2X3.5X45.125 W/.090W- .25 SLIT WHITE	1
6	~61109032~16X38 CLASSIC DIAM LAT	1
7	2.25X3.875X13.25 PRIV GATE HWBOX-WHITE	1
8	2.75X4.70X71.5 RTE 1.75X5.5 XLT WH W/UPI	2
9	HEAVY DUTY HINGE PAIR BLACK	1



6X46" 1.75X5.5 LATTICE GATE UIGP WH (EF)

THE INFORMATION CONTAINED IN THIS DRAWING IS PROTECTED BY COPYRIGHT AND PATENT LAWS OF THE UNITED STATES AND OTHER COUNTRIES. ANY REPRODUCTION IN PART OR AS A WHOLE WITHOUT WRITTEN PERMISSION IS PROHIBITED.

ITEM NO.	DESCRIPTION	QTY
1	.875X6X45.5 W/.035W EXTR T&G	8
2	1.02X1.379X43.125 EXTR U-CHANNEL WHITE	2
3	1.75X5.47X57.125 SGL RTE .25 SLIT WHITE	1
4	~61109032~16X50 CLASSIC DIAM LAT	1
5	1.75X5.47X57.125 W/.055W DECO EXTR WHT	1
6	2X3.5X57.125 W/.090W- .25 SLIT WHITE	1
7	2.25X3.875X13.25 PRIV GATE HWBOX-WHITE	1
8	2.75X4.70X71.5 RTE 1.75X5.5 XLT WH W/UPI	2
9	HEAVY DUTY HINGE PAIR BLACK	1



6X58" 1.75X5.5 LATTICE GATE UIGP WH (EF)

THE INFORMATION CONTAINED IN THIS DRAWING IS PROTECTED BY COPYRIGHT AND PATENT LAWS OF THE UNITED STATES AND OTHER COUNTRIES. ANY REPRODUCTION IN PART OR AS A WHOLE WITHOUT WRITTEN PERMISSION IS PROHIBITED.