



HORIZONTAL PRIVACY VINYL FENCE KIT

Installation Instructions

English.....1



Read all instructions prior to installing product.
Refer to manufacturers safety instructions when operating any tools.

To register your product, please visit: barretteoutdoorliving.com

⚠ WARNING:

- Improper installation of this product can result in personal injury. Always wear safety goggles when cutting, drilling and assembling the product.
- Incorrect installation may cause harm to the product or individual.
- Check local building codes to determine pool-safe fencing options.

NOTICE:

- DO NOT attempt to assemble the kit if parts are missing or damaged.
- DO NOT return the product to the store. For assistance or replacement parts call: 1-877-265-2220

BEFORE YOU BEGIN:

Check your local zoning laws.

- Local zoning laws and Home Owners Associations may regulate the location, style and height of your fence or even require a permit signoff beforehand.
- Check local codes for frost line depth and regulations.
- Additional products and assembly may be required to meet wind code requirements. Notice of acceptance (NOA) can be found at www.miamidade.gov/building/pc-search_app.asp

Contact your local utilities companies.

- You must have the utility companies clearly mark your property for electrical, gas or water lines to avoid puncturing any unseen underground utilities.

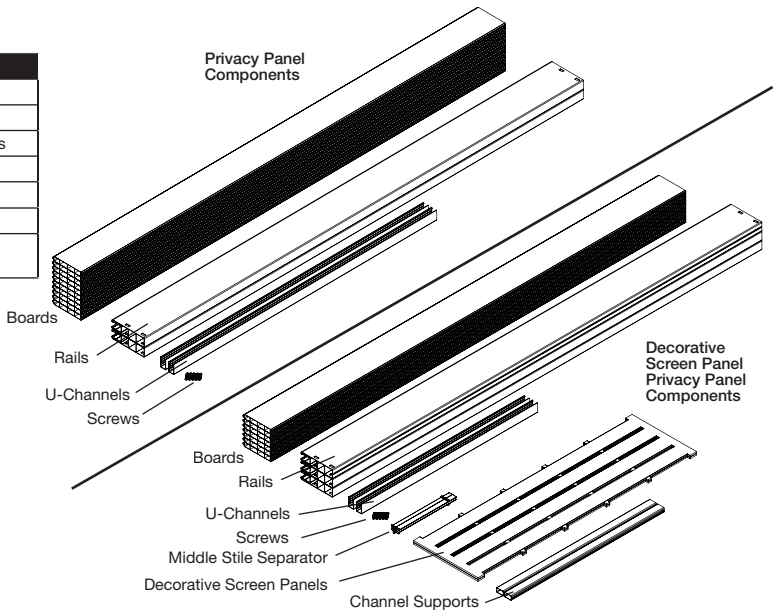
TOOLS/MATERIALS NEEDED:

Posts
Post Tops
Concrete
Coarse Gravel (6" per hole)
Post Hole Digger/Shovel
String Line Stakes with String
Level
Tape Measure
Rubber Mallet
Safety Glasses
Glue
Drill
Driver Bit

Component list:

Description
Rails
Boards
Structural Post U-Channels
Screws (10pc)
Decorative Screen Panels*
Middle Stile Separator*
Decorative Screen Panel Channel Supports*

*Included depending on style



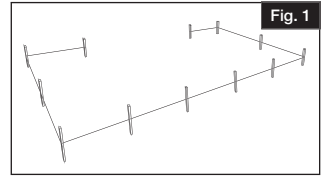
To obtain and review a copy of the warranty please visit barretteoutdoorliving.com. You may also contact us at 1-877-265-2220 or email CS.outdoorliving@barretteoutdoorliving.com.

1.

Mark the fence location using string and line stakes (Fig. 1).

NOTE:

Plan gate placement, opening and hardware clearance before installing fencing.



2.

Post Location:

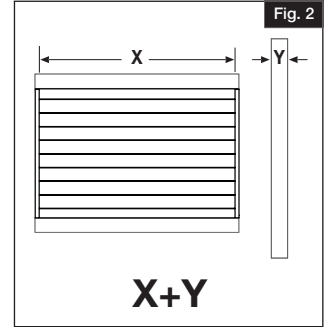
Measure the width of the fence panel (X) plus the width of the post (Y). This is the common center-to-center measurement (unless there is a cut-down panel) for post hole location (Fig. 2).

Post Installation:

Dig first two post holes in diameter based on size chart below* and down to your specified frost line. Insert filler/gravel into the bottom of both holes and then set first post in post hole.

Add wet or dry concrete mix according to the manufacturer's instruction to the top of the hole for first post only and level it.

Example: When your frost line is 36" insert 12" of gravel/ filler and 24" of post with concrete surrounding (Fig. 3).

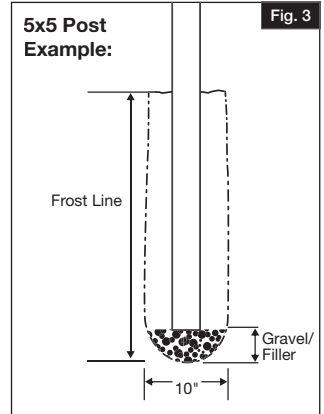


*

Diameters based on post size:

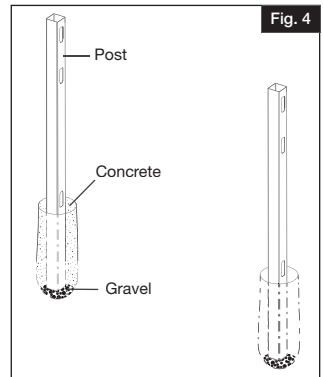
10" for 5" x 5" post

8" for 4" x 4" post



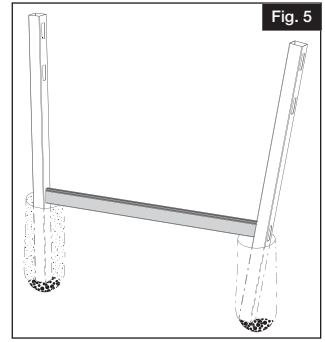
3.

Repeat post installation for second post by inserting gravel, post, then concrete mix. Take care that posts remain level. (Fig. 4). Panel should be about 2" above the ground.



4.

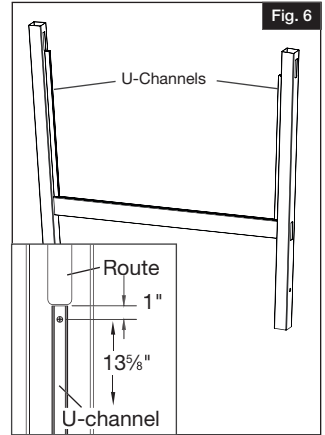
Insert bottom rail into bottom post route hole of first post only (Fig. 5).



5.

For Full Privacy Panels:

- Place structural post u-channel on post between routes and centered on face of post.
- Pre-drill 5 holes with a $\frac{1}{16}$ " drill bit, spacing out holes as shown (Fig. 6).
- Install structural post u-channel to posts with screws supplied.

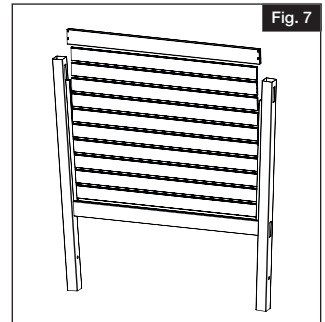


6.

Begin inserting boards horizontally, working up from the bottom.

NOTE:

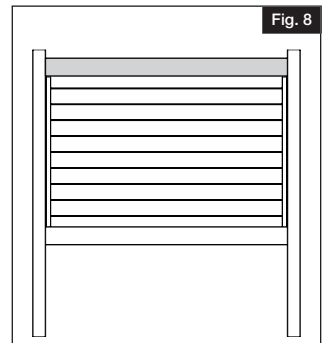
Boards may need to be inserted at an angle to start for easier installation. (Fig. 7).



7a.

For Full Privacy Panels:

- Insert the top rail into the first top hole post route then guide over top of boards (Fig. 8).
- Proceed to Step 8.



7b.

For Decorative Screen Panel Top Panels:

- Place structural post u-channel on post between routes and centered on face of post.
- Pre-drill 5 holes with a $\frac{1}{16}$ " drill bit, spacing out holes as shown (Fig. 9)
- Install structural post u-channel to post with screws supplied

Installing Decorative Screen Panel Topper Stiles:

- Using the tapered end of the stile, slide into the slit of the middle rail at an angle (Fig. 10)
- Install the second stile the same way as the first stile.
- Rotate the stiles 90 degrees and lock them into the middle. (Fig. 11).
- Place stiles back-to-back and align with the center of the rail. (Fig. 12).

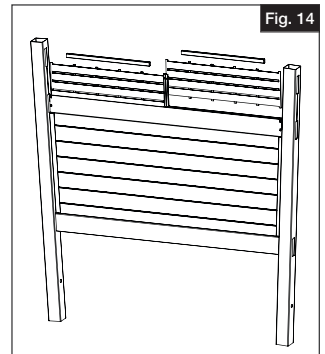
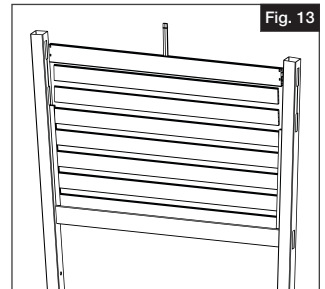
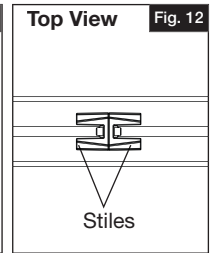
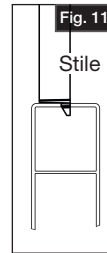
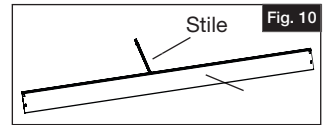
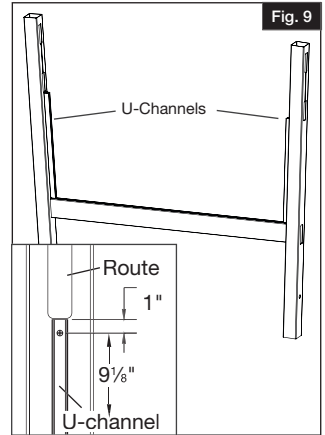
To Complete Assembly:

- Install infill boards horizontally as shown and pre-assembled midrail with stiles (Fig. 13).
- Install pre-cut Decorative Screen Panels into mid rail slit and middle stiles (Fig. 14).

NOTE:

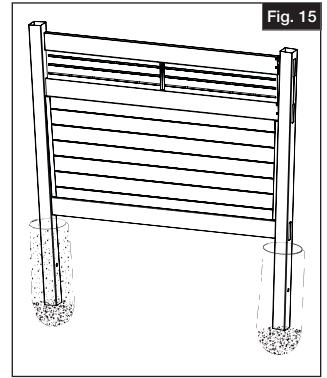
The Decorative Screen Panels are one-sided, take care to install both sides the same direction.

- Install Decorative Screen Panel channel support ($\frac{7}{8}$ " x $1\frac{1}{2}$ " x $33\frac{1}{2}$ " pieces) to the top of the screens; roughly centered (Fig. 14)
- Install top rail to complete assembly (Fig 15).



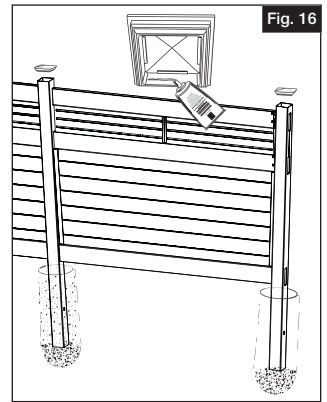
8.

Insert the completed fence panel into the route holes of the second fence post. Plumb and level the post and add concrete according to manufacturers instructions to top of hole (Fig. 15).



9.

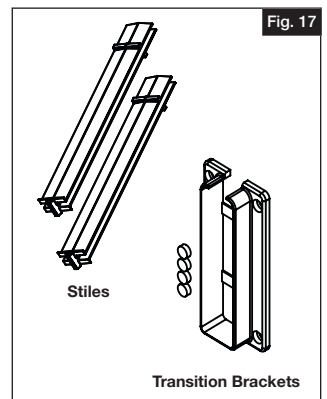
Apply glue on inside rim of post tops then attach to posts (Fig. 16). Repeat these steps until completed.



If Stepping Panels on a Slope:

IMPORTANT:

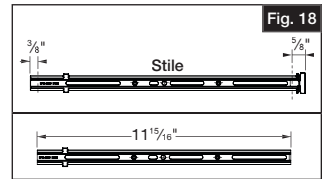
In order to step panels properly, transition brackets will need to be purchased separately. If stepping the Decorative Screen Panel topper panels, a (2) pack of the topper stiles must also be purchased separately (Fig. 17)



Stepping DSP Topper Panels:

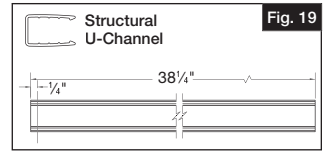
1.

Using additional stiles (sold separately), trim off $\frac{3}{8}$ " from the top and $\frac{5}{8}$ " off of the bottom as shown. Stile should be roughly $11\frac{15}{16}$ " long when cut (Fig. 18).



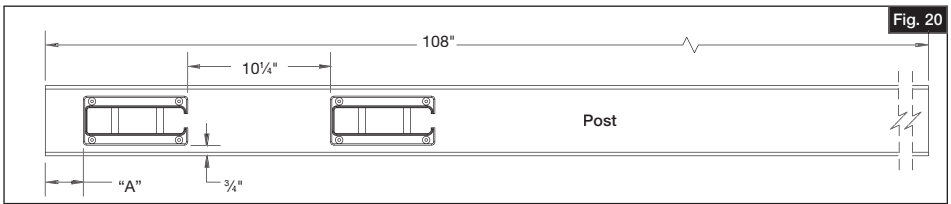
2.

Trim $\frac{1}{4}$ " off structural post channel (piece that attaches to post in above instruction) so that it measures $38\frac{1}{4}$ " (Fig. 19).



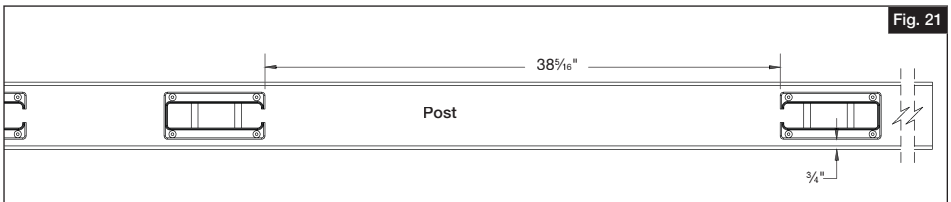
3.

Using the instruction provided with the transition brackets, attach top two brackets on the post as shown (Fig. 20). The "A" dimension is the amount of step required for the specific installation.



4.

Attach bottom transition bracket on post as shown (Fig. 21). Be sure bracket is in orientation as shown (open at top).

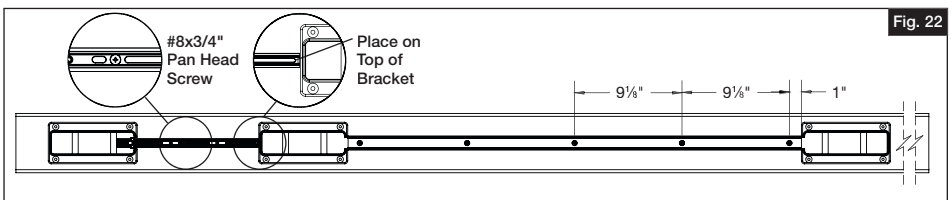


5.

Place shortened structural post channel on top of the bottom bracket and center it on the post. Pre-drill holes using a $\frac{1}{16}$ " drill bit and attach screws with spacing shown (Fig. 22).

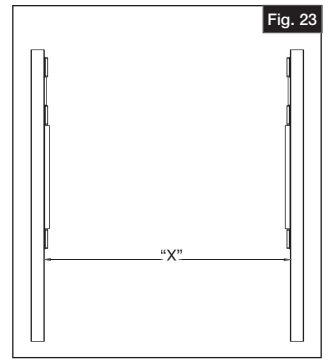
6.

Place shortened topper stile on top of mid-rail bracket and center on post. Attach using $\#8 \times \frac{3}{4}$ " pan head screws (not included) in center hole of stile (Fig. 22)



7.

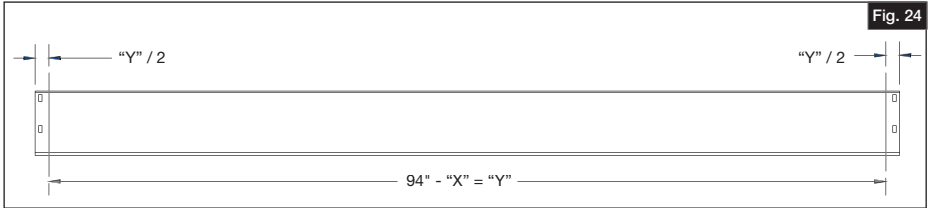
Determine spacing between posts (X), (Fig. 23).



8.

Trim Top, Middle and Bottom Rails

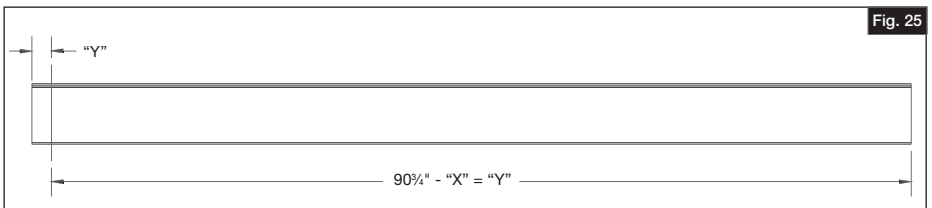
After determining the distance between the posts, subtract that dimension from 94" (rail length) and divide by 2. Cut that amount off of both ends of the rail (Fig. 24).



9.

Cut back infill boards

After determining the distance between the posts, subtract that dimension from $90\frac{1}{4}"$ (infill length). Cut that amount off of one end of all infill boards (Fig. 25).



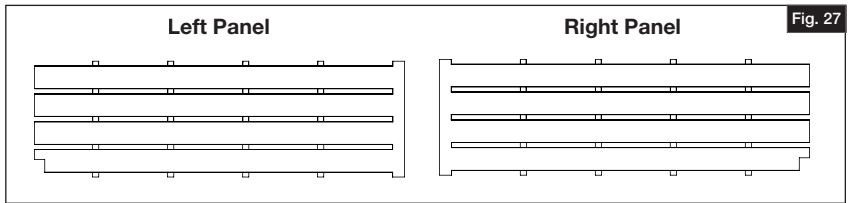
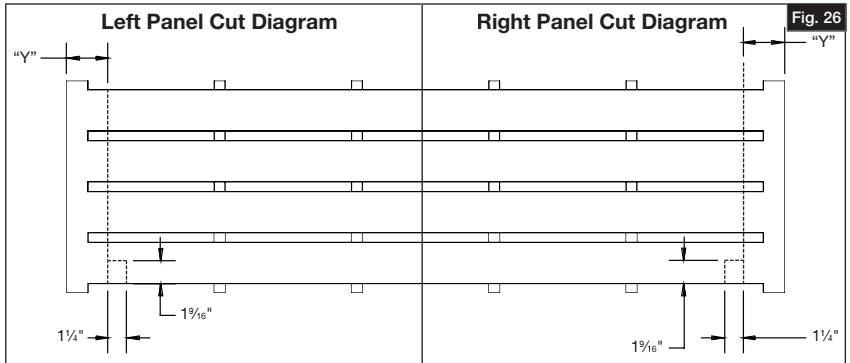
10. Trim Decorative Screen Panels (creating a notch)

- a.) Take the distance between the posts (X) and subtract $\frac{5}{8}$ " then divide by 2. Cut this dimension from one side of each Decorative Screen Panel. (Fig. 26).

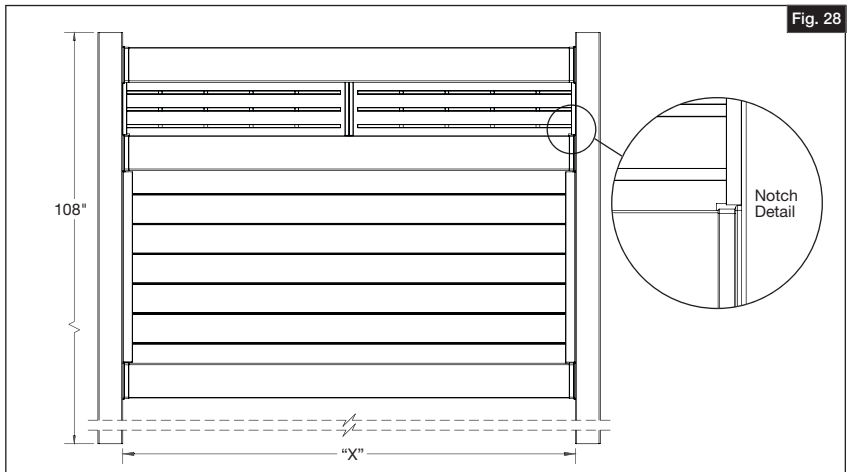
NOTE:

Take care to cut on correct side as the Decorative Screen Panel is one-sided.

- b.) From the new edge, measure $1\frac{1}{4}$ " over and $1\frac{1}{16}$ " from the bottom edge to create a notch as shown on each panel (Fig. 27).



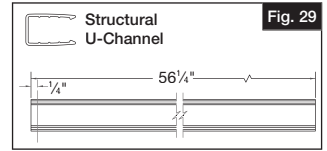
11. Assemble panel as noted in panel assembly instructions (Fig. 28).



Stepping Full Privacy Panels

1.

Trim $\frac{1}{4}$ " off structural post channel so that it measures 56" (Fig. 29)

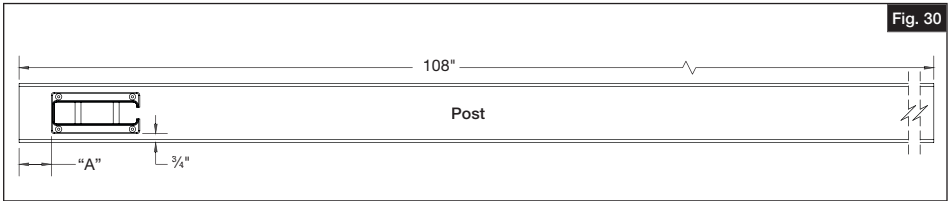


2.

Using the instruction provided with the transition brackets, attach top transition bracket on post as shown (Fig. 30). Make sure bracket is in orientation shown (with opening pointed down).

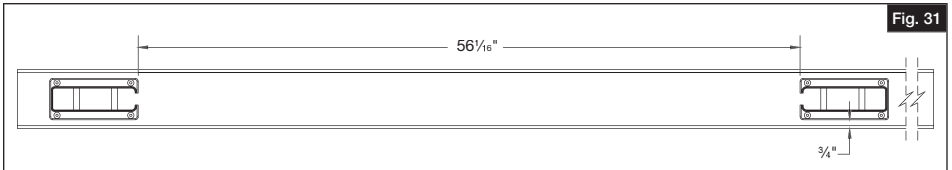
NOTE:

The "A" dimension is the amount of step required for the installation.



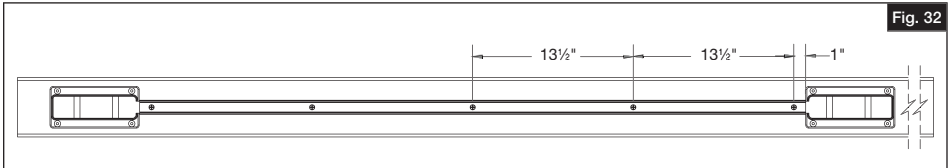
3.

Attach bottom transition bracket on post as shown (Fig. 31). Make sure the bracket is in the orientation shown (opening pointed up).



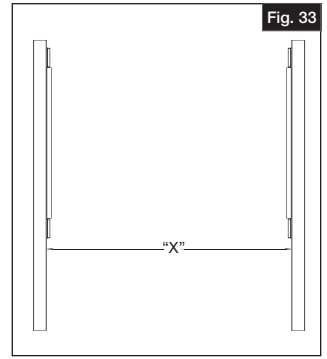
4.

Place shortened structural post channel on top of the bottom bracket centered on post as shown (Fig. 32). Pre-drill 5 holes using a $\frac{1}{16}$ " drill bit spaced as shown and attach with provided screws (Fig. 32).



5.

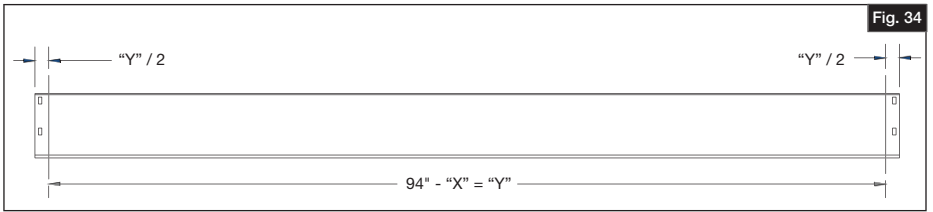
Determine the spacing between the posts - "X" measurement (Fig. 33)



6.

Trim Top and Bottom Rails

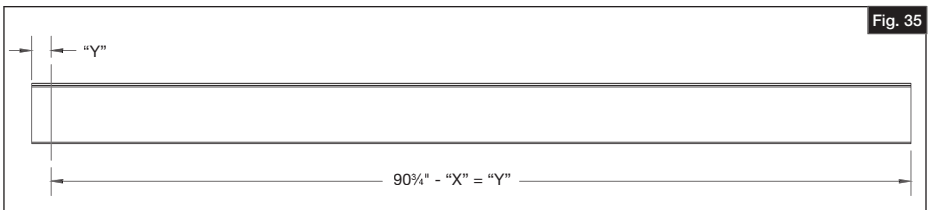
After determining the distance between the posts, subtract that dimension from 94" (rail length) and divide by 2. Cut that amount off of both ends of the rail (Fig. 34).



7.

Cut back infill boards

After determining the distance between the posts, subtract that dimension from 90 $\frac{3}{4}$ " (infill length). Cut that amount off of one end of all infill boards (Fig. 35).



8.

Assemble panel as noted in panel assembly instructions (Fig. 36).

