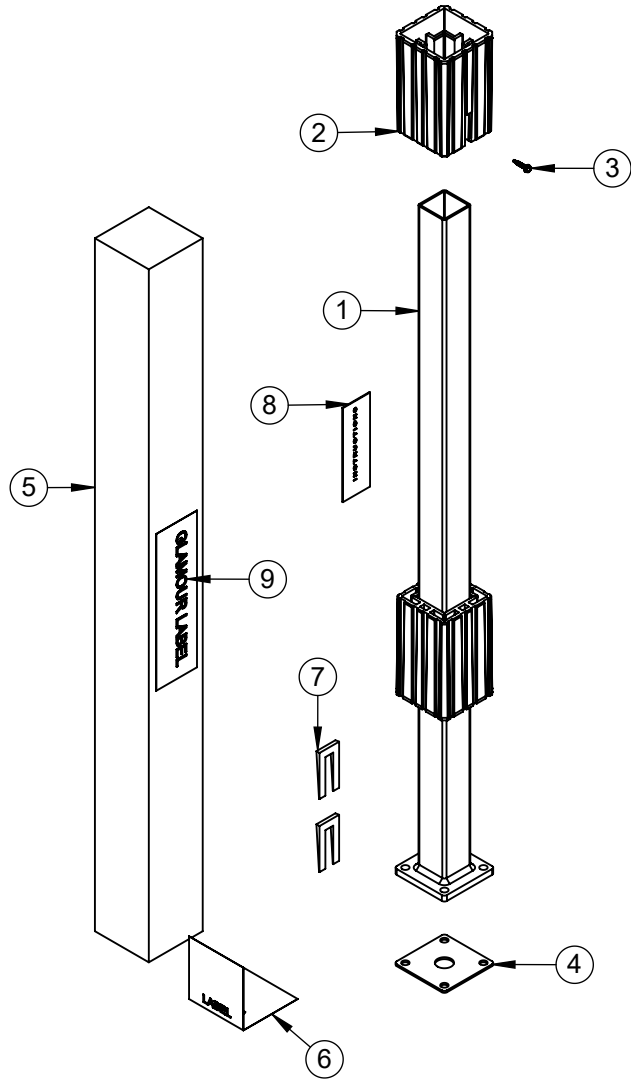
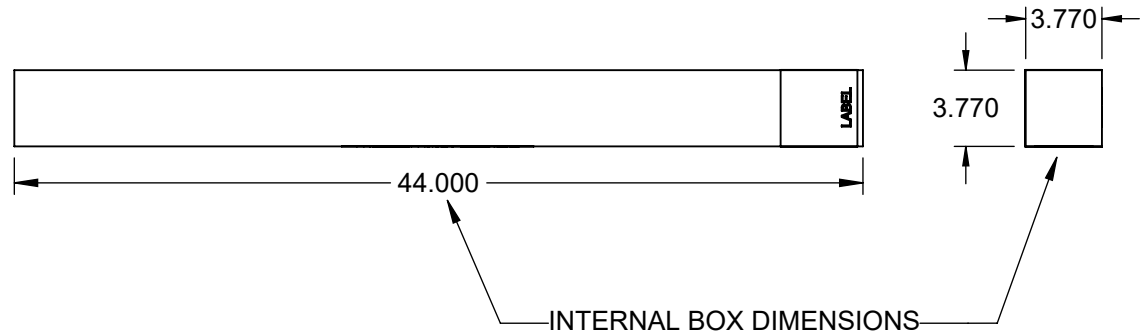


42" High Flush Mount Structural Post



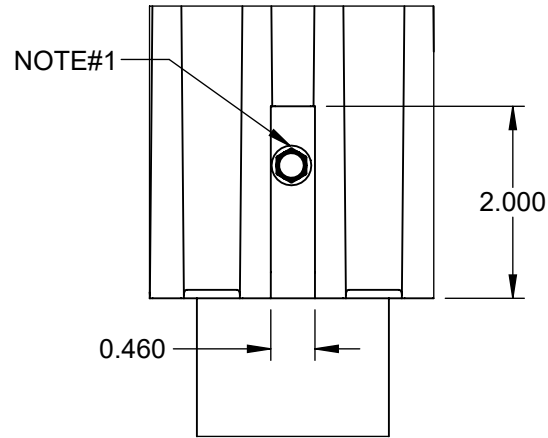
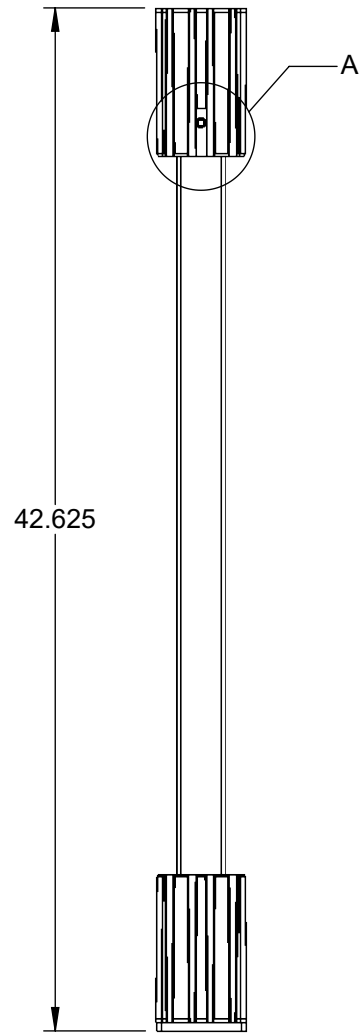
ITEM NO.		DESCRIPTION	QTY
1		RDI 2X2X42.625 FLUSH STEEL POST	1
2		4X4X6.25 HDPE STRUCTURAL POST INSERT	2
3		SIZE 10, 1" LONG 410 ZINC PLATED STEEL HEX 10-16	1
4		BOL CO 4X4X44 POST BOX PRINTED 3L (POST INSTALL KIT 2.21)	1
5		4X8 LABEL	1
6		RDI 3.7X3.7 STEEL POST PLATE	1
7		3" SLOTTED SHIM	2
8		INST POST INSTALL KIT REV 8-2020	1
9		BOL CO 3X10 GLAMOUR LABEL 3L (POST INSTALL KIT 2.21)	1



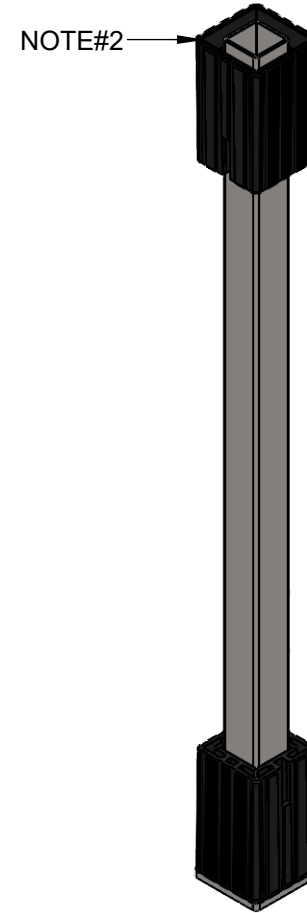
THE INFORMATION CONTAINED IN THIS DRAWING IS PROTECTED BY COPYRIGHT AND PATENT LAWS OF THE UNITED STATES AND OTHER COUNTRIES. ANY REPRODUCTION IN PART OR AS A WHOLE WITHOUT WRITTEN PERMISSION IS PROHIBITED.

NOTES:

1. THIS SCREW SECURES THE INSERT TO THE STEEL POST.
2. THE TOP OF INSERT SHOULD BE LEVEL WITH THE TOP OF THE STEEL POST.



DETAIL A
SCALE 1 : 2



POST INSTALL KIT FOR 42" RAILING