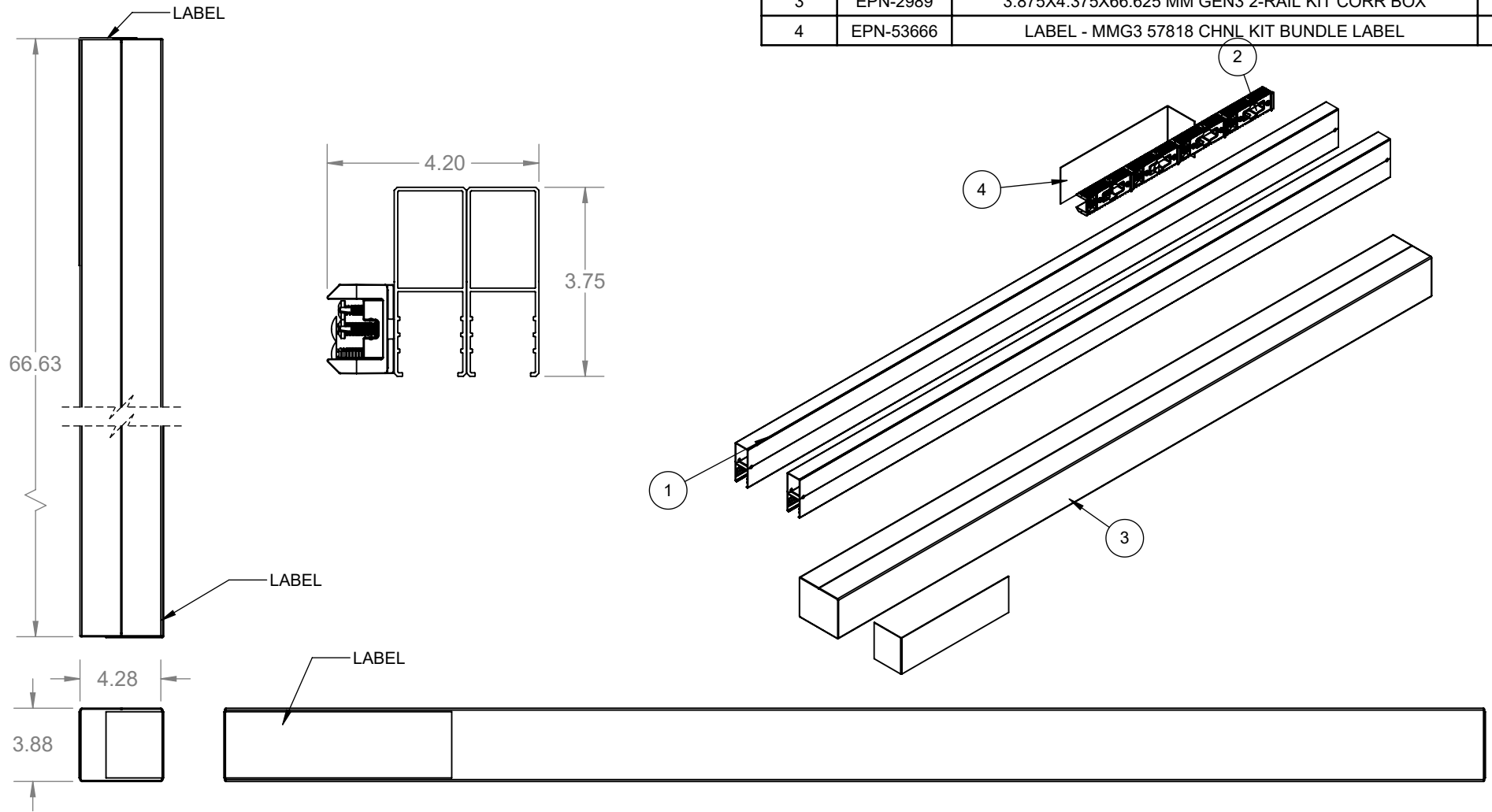


NOTE:

1. INDIVIDUALLY WRAP EACH RAIL IN A PLASTIC BAG.
2. PLACE RAILS INSIDE BOX AS SHOWN.
3. TAPE BOX CLOSED
4. PLACE LABEL ON BOX AS SHOWN

ITEM NO.	73057818 MATTE-BLK	DESCRIPTION	QTY
1	EPN-1177	1.37X3.75X66.25 MM GEN3 6X6 TBR-MATTE BLK	2
2	EPN-53640	MM GEN3 2-RAIL FENCE BRACKET W/ HARDWARE KIT	1
3	EPN-2989	3.875X4.375X66.625 MM GEN3 2-RAIL KIT CORR BOX	1
4	EPN-53666	LABEL - MMG3 57818 CHNL KIT BUNDLE LABEL	2



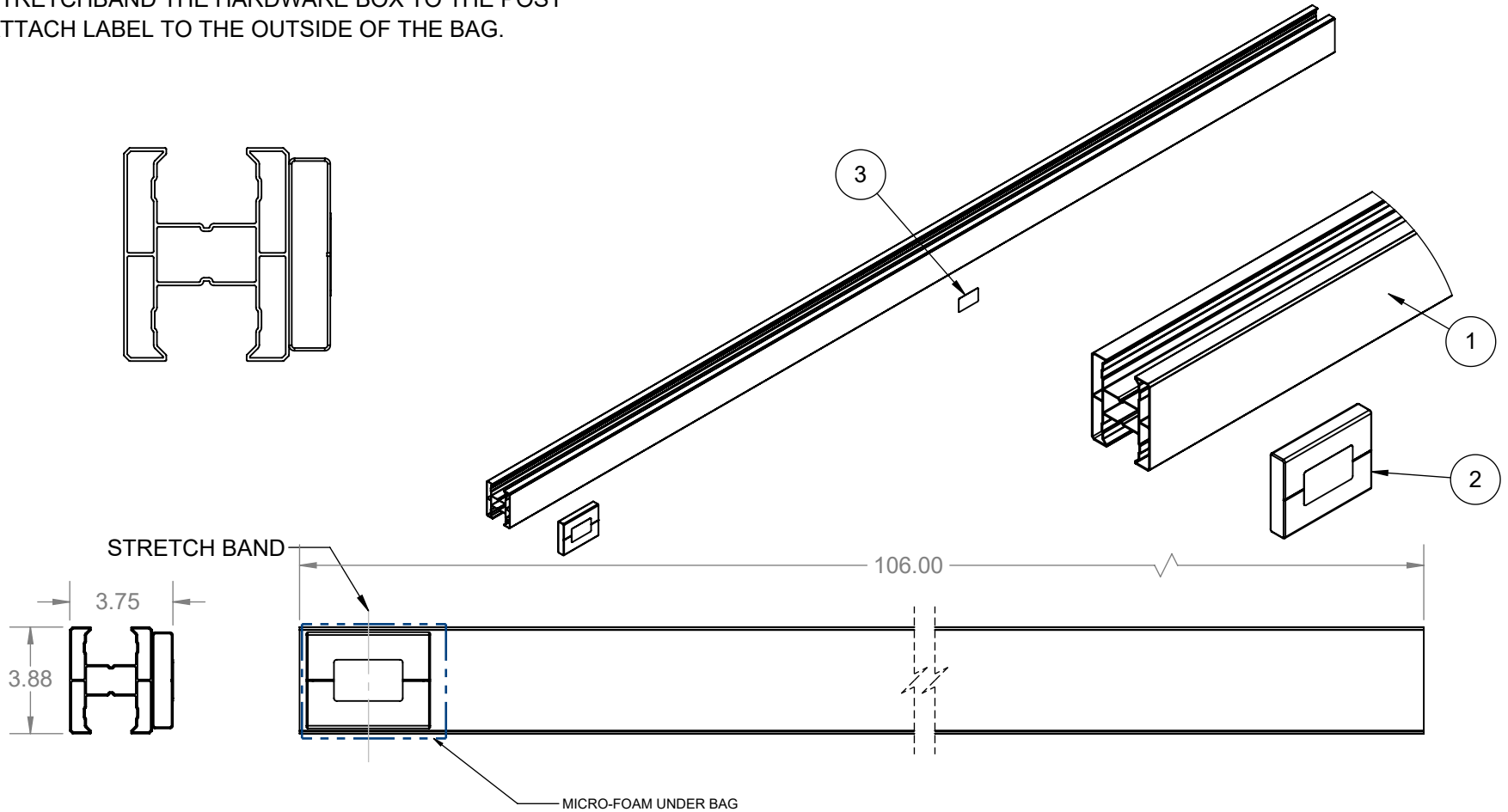
MMG3 TOP/BTM CHNL KIT MATTE
BLACK 2PCS

THE INFORMATION CONTAINED IN THIS DRAWING IS PROTECTED BY COPYRIGHT AND PATENT LAWS OF THE UNITED STATES AND OTHER COUNTRIES. ANY REPRODUCTION IN PART OR AS A WHOLE WITHOUT WRITTEN PERMISSION IS PROHIBITED.

NOTES.

1. POWDER COAT
2. WRAP MICRO-FOAM AROUND POST AS SHOWN
3. PLACE POST IN LOOSE FITTING BAG.
4. STRETCHBAND THE HARDWARE BOX TO THE POST
5. ATTACH LABEL TO THE OUTSIDE OF THE BAG.

ITEM NO.	73057812 MATTE BLK	DESCRIPTION	QTY
1	EPN-1235	3X3.875x106 MM GEN3 PLIN IN-GROUND - MATTE BLK	1
2	EPN-53639	MM GEN3 LINE/END POST CAP IN-GRND KIT	1
3	N/A	LABEL WITH PART# / DESCRIPTION	1

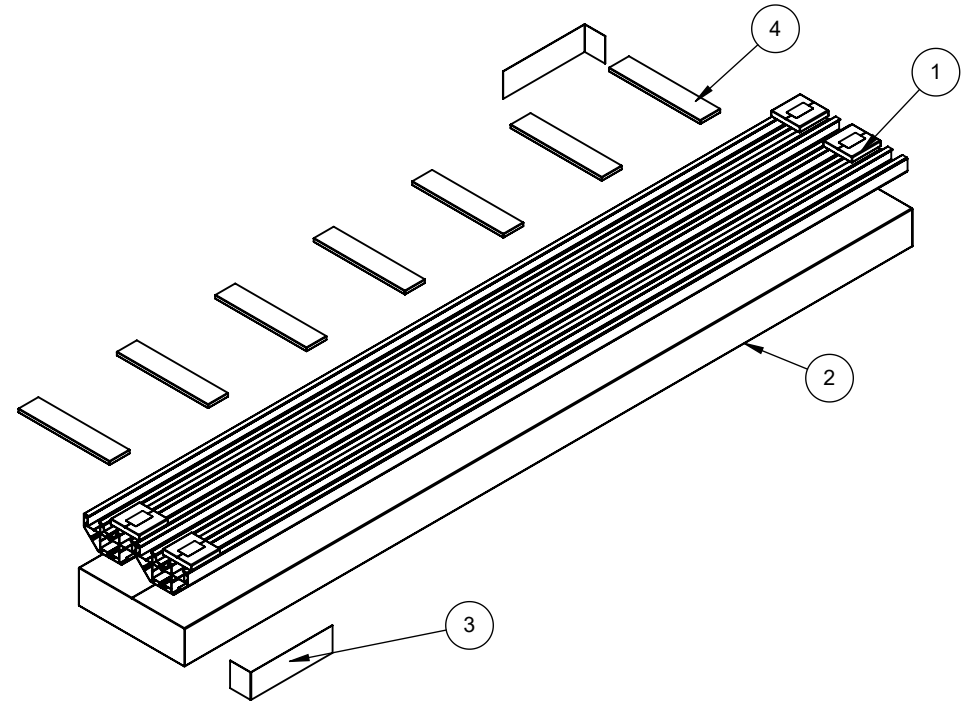
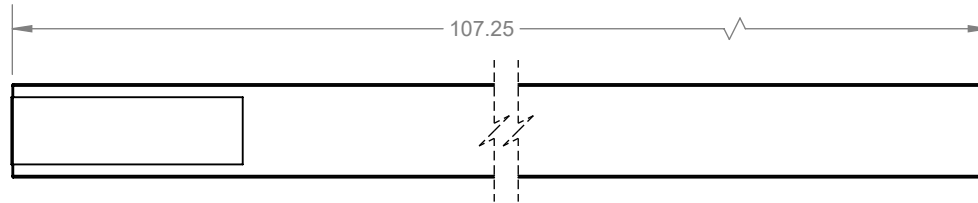
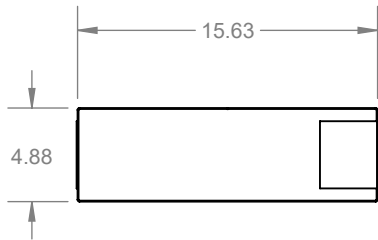
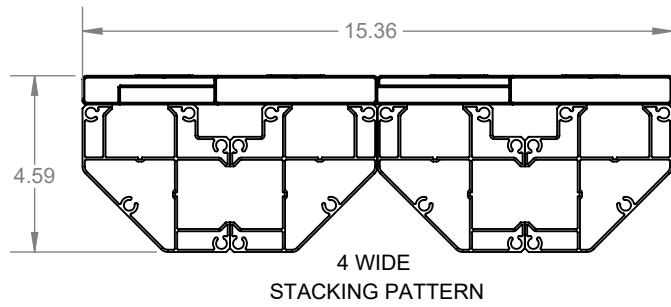


3X3.875X106 MMG3 LINE POST - MATTE BLACK

NOTES

1. ALTERNATE POST ASSEMBLIES INSIDE BOX AS SHOWN.
2. TAP CLOSED.
3. PLACE LABEL ON THE OUT SIDE OF THE BOX.

ITEM NO.	73057814 MATTE BLK	DESCRIPTION	QTY
1	73057814	3X3.875X106 MMG3 CRN POST - MATTE BLACK	4
2	EPN-2995	4.125X14.375X107.25 MMG3 CORNER IN-GRND BUNDLE BOX	1
3	EPN-53660	LABEL - MMG3 57814 IN-GRND PCRN BUNDLE LABEL	2
4	N/A	BOX FILLER 1	7



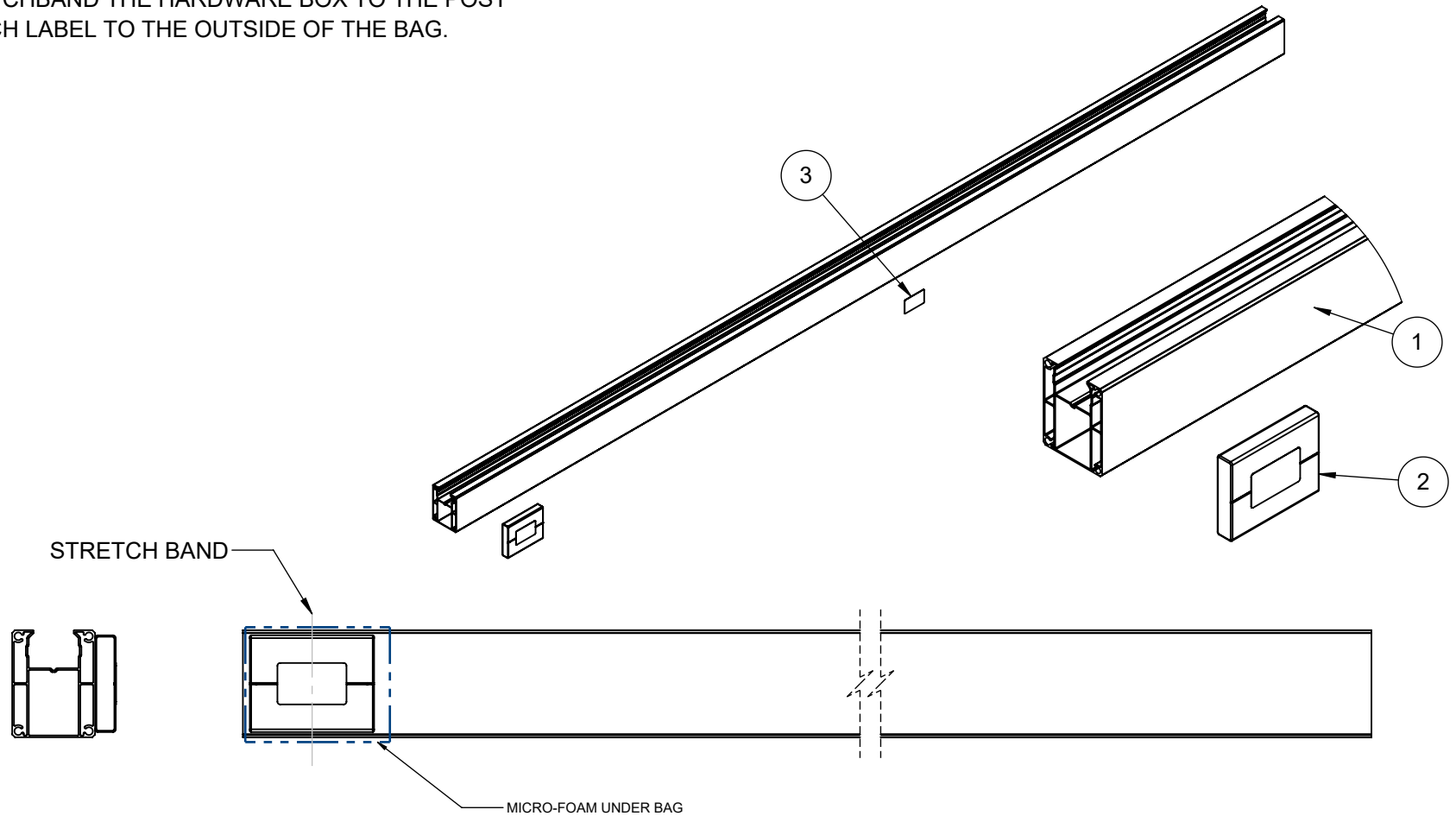
3X3.875X106 MMG3 CRN POST - MATTE BLACK

THE INFORMATION CONTAINED IN THIS DRAWING IS PROTECTED BY COPYRIGHT AND PATENT LAWS OF THE UNITED STATES AND OTHER COUNTRIES. ANY REPRODUCTION IN PART OR AS A WHOLE WITHOUT WRITTEN PERMISSION IS PROHIBITED.

NOTES.

1. POWDER COAT
2. WRAP MICRO-FOAM AROUND POST AS SHOWN
3. PLACE POST IN LOOSE FITTING BAG.
4. STRETCHBAND THE HARDWARE BOX TO THE POST
5. ATTACH LABEL TO THE OUTSIDE OF THE BAG.

ITEM NO.	73057813 MATTE BLK	DESCRIPTION	QTY
1	EPN-1216	3X3.875x106 MM GEN3 PEND - MATTE BK	1
2	EPN-53639	MM GEN3 LINE/END POST CAP IN-GRND KIT	1
3	N/A	LABEL WITH PART# / DESCRIPTION	1

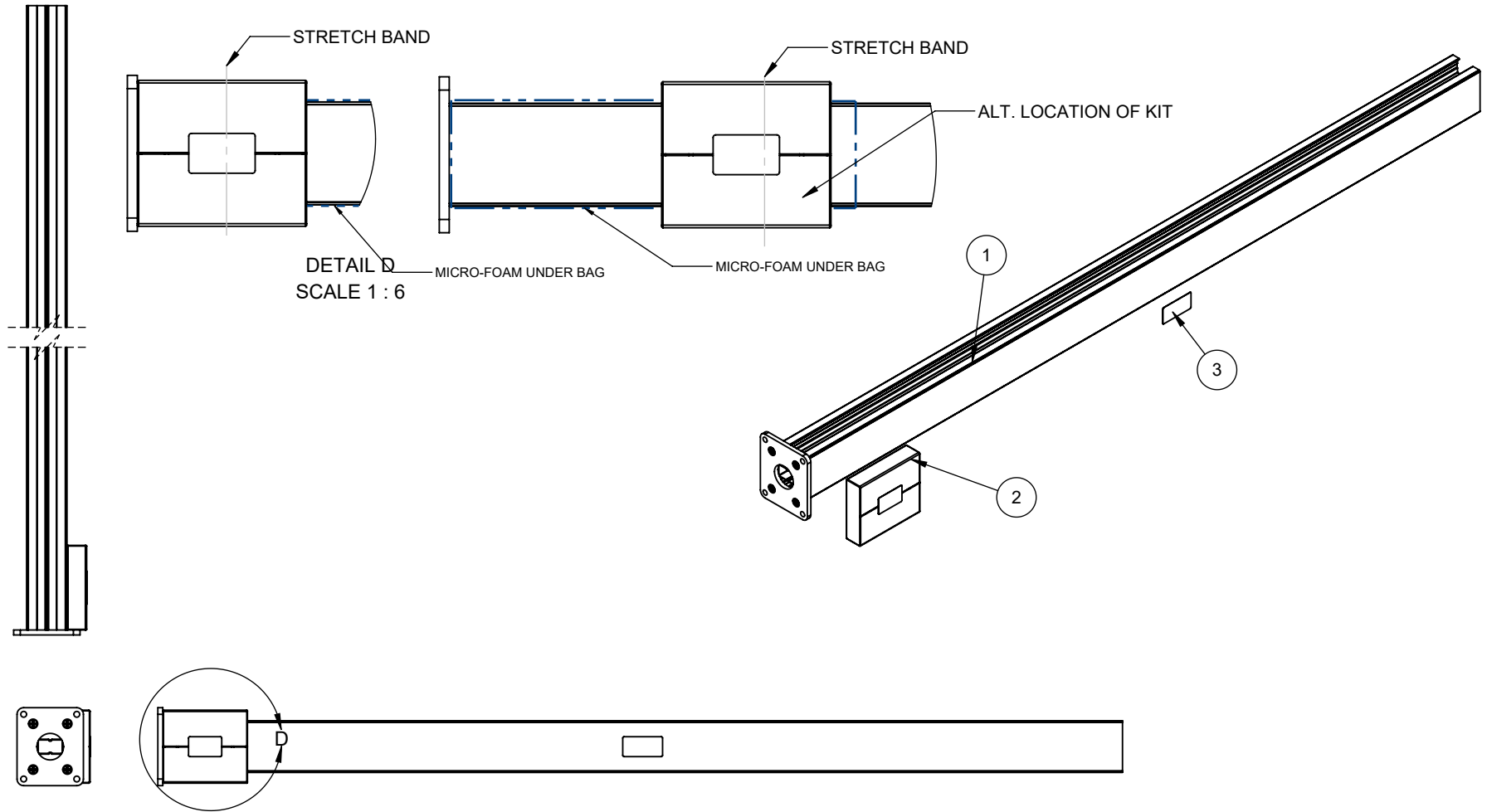


3X3.875X106 MMG3 END POST - MATTE BLACK

NOTES.

1. PLACE POST IN LOOSE FITTING BAG.
2. STRETCHBAND THE HARDWARE BOX TO THE POST
 1. ALTERNATE HARDWARE BOX LOCATION FOR PACKING IN BUNDLE BOX
3. ATTACH LABEL TO THE OUTSIDE OF THE BAG.

ITEM NO.	73057815 MATTE BLK	DESCRIPTION	QTY
1	EPN-8488	3X3.875X72.65 SURFACE MNT LINE POST - MATTE BLK	1
2	EPN-53637	MM GEN3 END/LINE POST CAP/COVER KIT	1
3	N/A	LABEL WITH PART# / DESCRIPTION	1



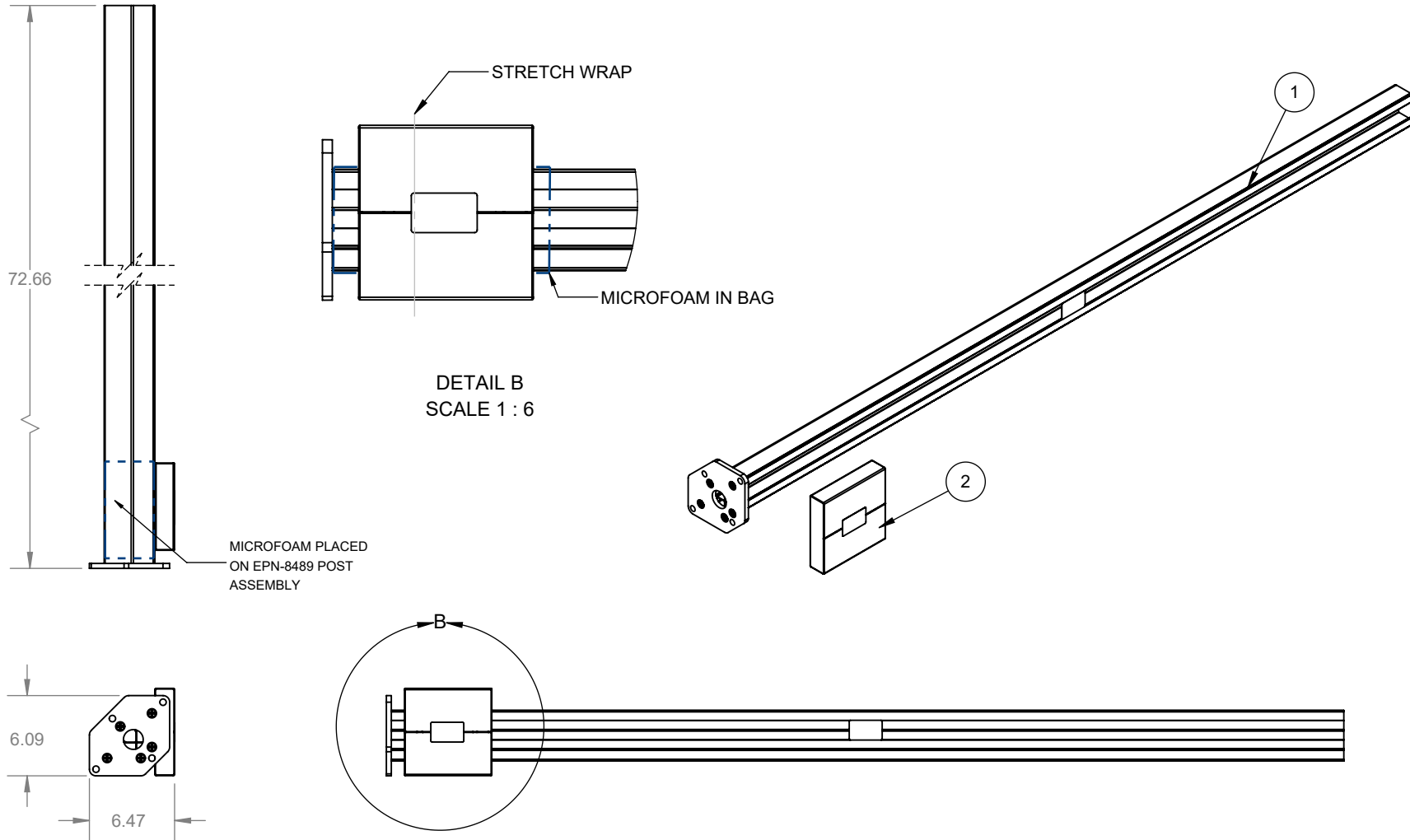
3X3.875X72.65 MMG3 LIN SURF-MT KIT M-BLK

THE INFORMATION CONTAINED IN THIS DRAWING IS PROTECTED BY COPYRIGHT AND PATENT LAWS OF THE UNITED STATES AND OTHER COUNTRIES. ANY REPRODUCTION IN PART OR AS A WHOLE WITHOUT WRITTEN PERMISSION IS PROHIBITED.

NOTE:

1. ATTACH SURFACE MOUNT PLATE KIT TO POST AS SHOWN WITH STRETCH WRAP
2. MAKE SURE THE BOX IS ON TOP OF THE MICROFOAM THAT WAS INSTALLED WHEN THE POST WAS ASSEMBLED

ITEM NO.	73057817 MATTE BLK	DESCRIPTION	QTY
1	EPN-8489	4X4X72 SURFACE MNT CORNER POST - MATTE BLK	1
2	EPN-53636	MM GEN3 CORNER POST CAP/COVER SURF-MNT KIT	1



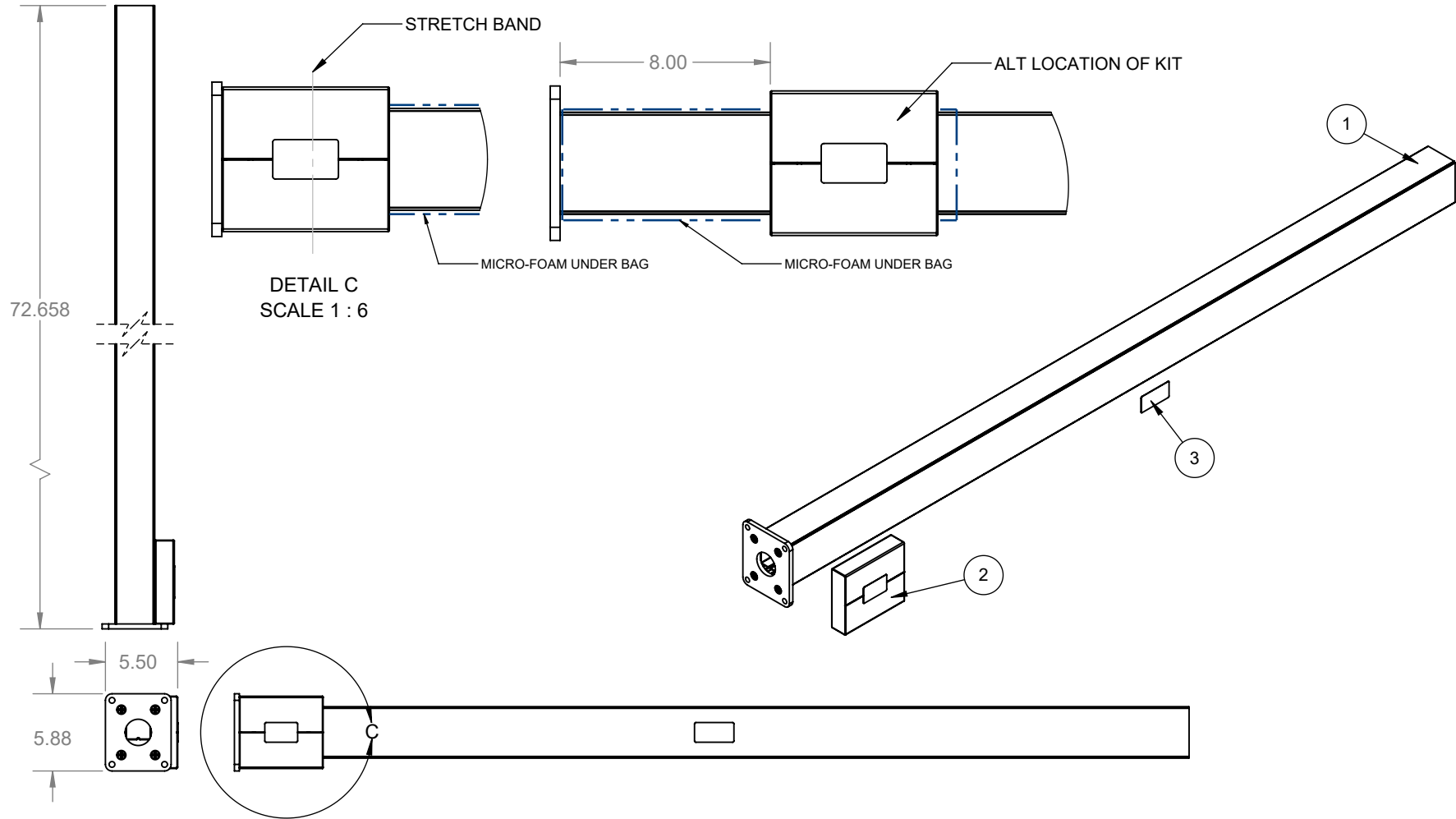
3X3.875X72.65 MMG3 CRN SURF-MT KIT M-BLK

THE INFORMATION CONTAINED IN THIS DRAWING IS PROTECTED BY COPYRIGHT AND PATENT LAWS OF THE UNITED STATES AND OTHER COUNTRIES. ANY REPRODUCTION IN PART OR AS A WHOLE WITHOUT WRITTEN PERMISSION IS PROHIBITED.

NOTES.

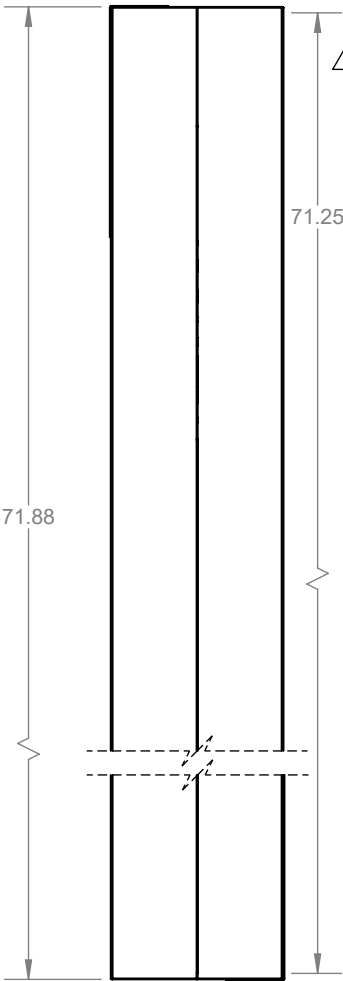
1. PLACE POST IN LOOSE FITTING BAG.
2. STRETCHBAND THE HARDWARE BOX TO THE POST
 1. ALTERNATE HARDWARE BOX LOCATION FOR PACKING IN BUNDLE BOX
3. ATTACH LABEL TO THE OUTSIDE OF THE BAG.

ITEM NO.	73057816 MATTE BLK	DESCRIPTION	QTY
1	EPN-8487	3X3.875X72.65 SURFACE MNT END POST - MATTE BLK	1
2	EPN-53637	MM GEN3 END/LINE POST CAP/COVER KIT	1
3	N/A	LABEL WITH PART# / DESCRIPTION	1

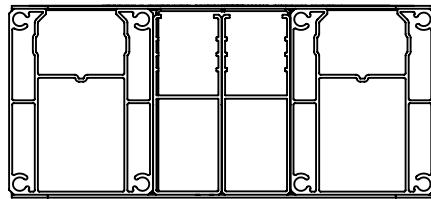


3X3.875X72.65 MMG3 END SURF-MT KIT M-BLK

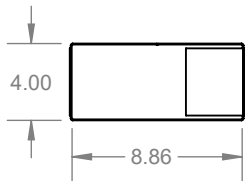
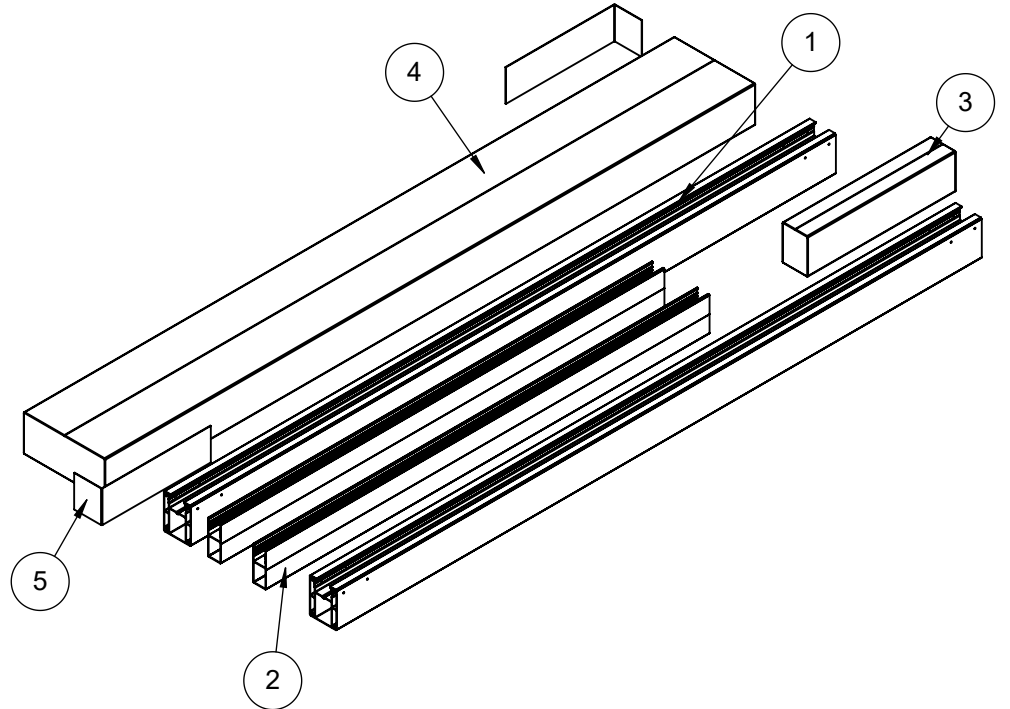
THE INFORMATION CONTAINED IN THIS DRAWING IS PROTECTED BY COPYRIGHT AND PATENT LAWS OF THE UNITED STATES AND OTHER COUNTRIES. ANY REPRODUCTION IN PART OR AS A WHOLE WITHOUT WRITTEN PERMISSION IS PROHIBITED.



- NOTE:**
1. INDIVIDUALLY BAG EACH EXTRUSION
 2. STACK ALL THE ALUM PARTS AS SHOWN IN DETAIL "A" IN CORRUGATED BOX
 3. INSTALL PVC EXTR IN SIDE AL CHANNELS AS SHOWN.
 4. INSTALL HARDWARE BOX BETWEEN GATE UR ON TOP OF THE RAILS.
 5. TAPE BOX SHUT
 6. APPLY LABEL AS SHOWN ON OPPOSITE CORNERS




DETAIL "A"
BOX REMOVED FOR CLARITY



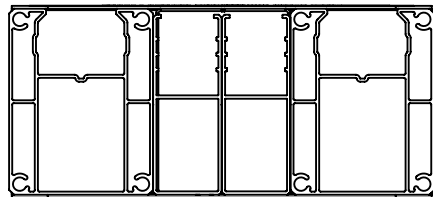
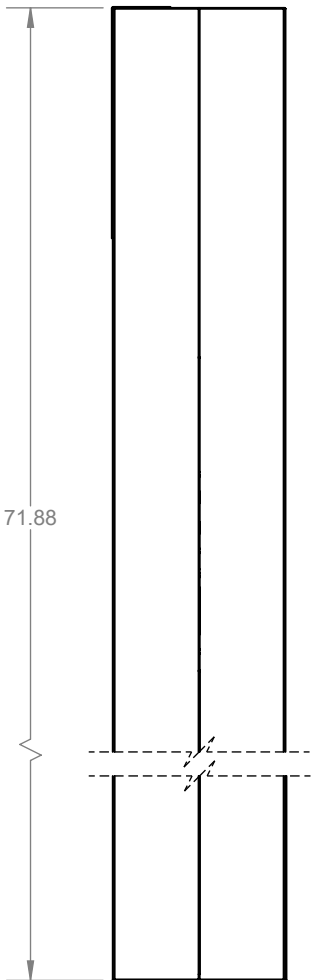
ITEM NO.	73057820 MATTE BLK	1	DESCRIPTION	QTY.
1	EPN-1214	3X3.875x70.875 MM GEN3 PEND - MATTE BLK		2
2	EPN-1176	1.37X3.75X49 MM GEN3 6X6 TBR-MATTE BLK		2
3	EPN-2981	MM GEN3 GATE HARDWARE KIT		1
4	EPN-53630	4X9X71.875 MM GEN3 GATE CORR BUNDLE BOX		1
5	EPN-53632	LABEL - 6X58 MM GEN3 GATE LABEL-57820		2

MM GATE KIT 6X58 KD MATTE BLACK

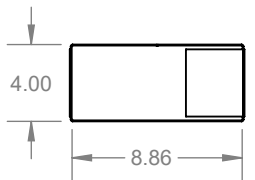
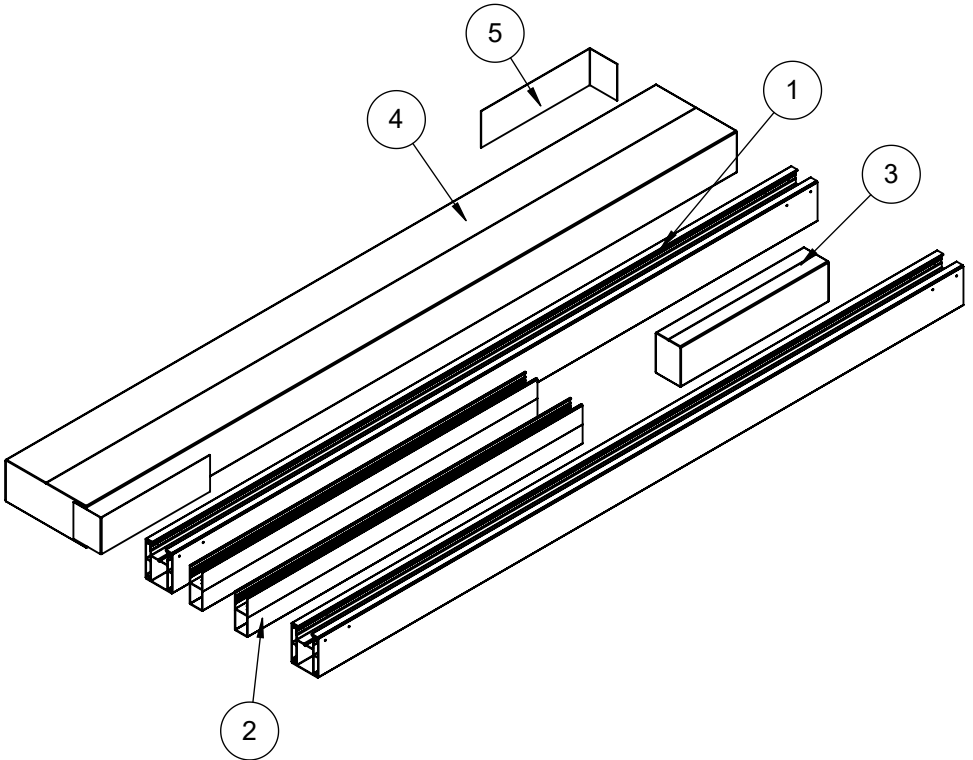
THE INFORMATION CONTAINED IN THIS DRAWING IS PROTECTED BY COPYRIGHT AND PATENT LAWS OF THE UNITED STATES AND OTHER COUNTRIES. ANY REPRODUCTION IN PART OR AS A WHOLE WITHOUT WRITTEN PERMISSION IS PROHIBITED.

ITEM NO.	73057821 MATTE BLK	 DESCRIPTION	QTY
1	EPN-1214	3X3.875x70.875 MM GEN3 PEND - MATTE BLK	2
2	EPN-1175	1.37X3.75X37 MM GEN3 TBR WGATE-MATTE BLK	2
3	EPN-2981	MM GEN3 GATE HARDWARE KIT	1
4	EPN-53630	4X9X71.875 MM GEN3 GATE CORR BUNDLE BOX	1
5	EPN-53631	LABEL - 6X46 MM GEN3 GATE LABEL-57821	2

- NOTE:
1. INDIVIDUALLY BAG EACH EXTRUSION
 2. STACK ALL THE ALUM PARTS AS SHOWN IN DETAIL "A" IN CORRUGATED BOX
 3. INSTALL PVC EXTR IN SIDE AL CHANNELS AS SHOWN.
 4. INSTALL HARDWARE BOX BETWEEN GATE UR ON TOP OF THE RAILS.
 5. TAPE BOX SHUT
 6. APPLY LABEL AS SHOWN



DETAIL "A"
BOX REMOVED FOR CLARITY



MM GATE KIT 6X46 KD MATTE BLACK

THE INFORMATION CONTAINED IN THIS DRAWING IS PROTECTED BY COPYRIGHT AND PATENT LAWS OF THE UNITED STATES AND OTHER COUNTRIES. ANY REPRODUCTION IN PART OR AS A WHOLE WITHOUT WRITTEN PERMISSION IS PROHIBITED.